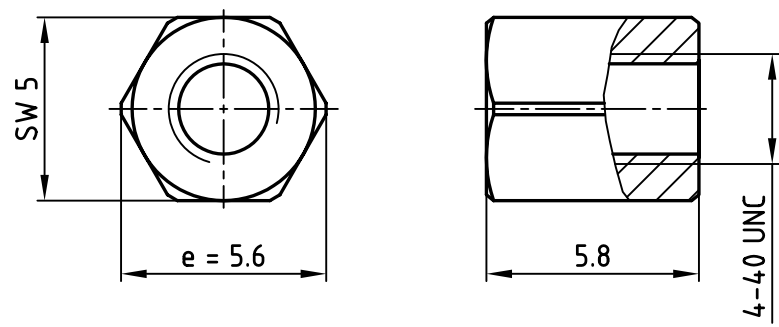



used for: D-SUB



APPROVAL # FREIGABE # DEBLOCAGE # AUTORIZACION # APPROVAL	
CUSTOMER APPROVAL DATE:	
NAME:	TITLE:
COMPANY NAME:	
APPROVAL # FREIGABE # DEBLOCAGE # AUTORIZACION # APPROVAL	



THIS DRAWING MAY NOT BE COPIED OR REPRODUCED IN ANY WAY, AND MAY NOT BE PASSED ON TO A THIRD PARTY WITHOUT WRITTEN PERMISSION.
OWNERSHIP AND COPYRIGHT OF CONEC GmbH
DO NOT ALTER CAD DRAWING BY HAND

			tolerance ISO 2768-m	 dim. in mm
2003	date	name		title: HEX BOLT 4-40 UNC
drawn	30.07.	Lehmenkühler		
appd.	30.07.	Mickenbecker		
norm				
d-old				
rev.	description	date	name	



scale: 5:1	
material: Cu Zn gal. nickel	
dwg no: AutoCAD 2000	
part no: 16K1A987	
DIN-A 4	
sh: 1/1	
part no: 160X10379X	