

SIDE ENTRY PCB JACK FCC-68



6813 SERIES. Right angle PCB jack.

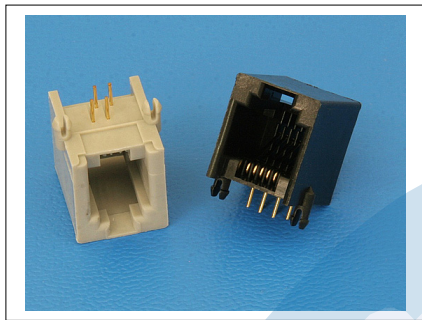
General Features

- Available in 4/4, 6/4 and 6/6 circuits
- Standard telephone jack FCC-68
- Low profile 14.50 mm. 15.00 mm. depth
- Accept standard plugs FCC-68
- Full gold plating with different plating
- Bifurcated plastic foot print

Materials

- Insulator: Thermoplastic UL 94V-0
- Contact: 0.45 mm. round phosphor bronze
- Operating temperature. -25°C to + 85°C
- RoHS compliant

Dimensional Information



Electrical Features

- Voltage rating: < 125V
- Current rating: < 1.50 A
- Contact resistance: < 20 mΩ
- Dielectric withstanding voltage: 300 V AC/minute
- Insulation resistance: >1000 MΩ

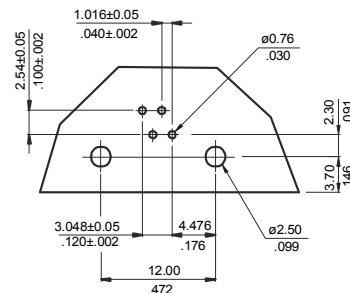
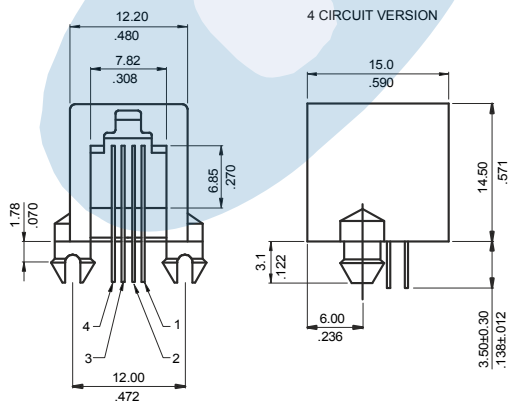
Mechanical Features

- Durability: 1000 cycles

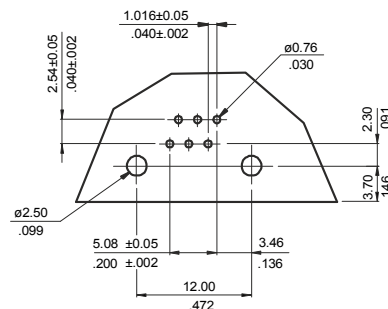
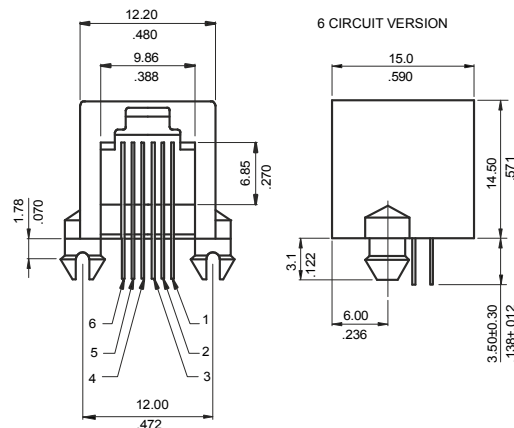
Circuit Size	Part Number	
	Black Colour	Grey Colour
4/4	6813 - T441	6813 - T442
6/4	6813 - T641	6813 - T642
6/6	6813 - T661	6813 - T662

T = Contact Plating

- T = 4. 6μ" gold over 50μ" nickel
- T = 5. 15μ" gold over 50μ" nickel
- T = 6. 30μ" gold over 50μ" nickel
- T = 7. 50μ" gold over 50μ" nickel



RECOMMENDED HOLE PATTERN



RECOMMENDED HOLE PATTERN