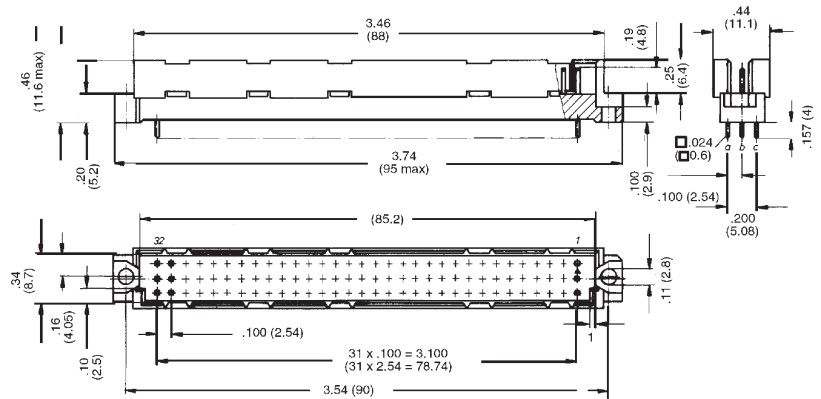
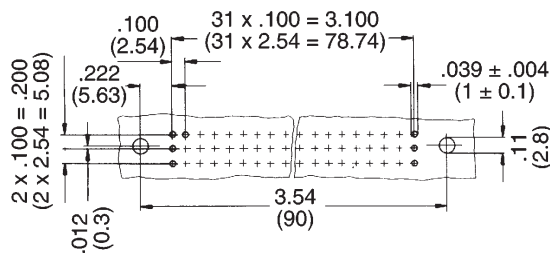


**Type R —
Series 130**

**64 and 96 Contact Inverse
Male Three Row Connectors**



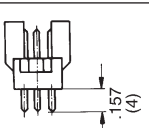
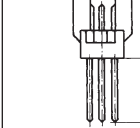
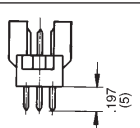
Printed Circuit Layout



Press-Fit Technical Specifications

Compliant Pin	
P.C.B. Thickness	.06 - .13 (1.6 - 3.2 mm)
Finished Hole Size	.037 - .043 (0.94 - 1.09 mm)
Drill Size	.045 ± .0004 (1.15 ^{+0.01} mm)
Copper	100μ" 300μ" (25-76μm)
Tin-Lead	30μ" (6μm min)

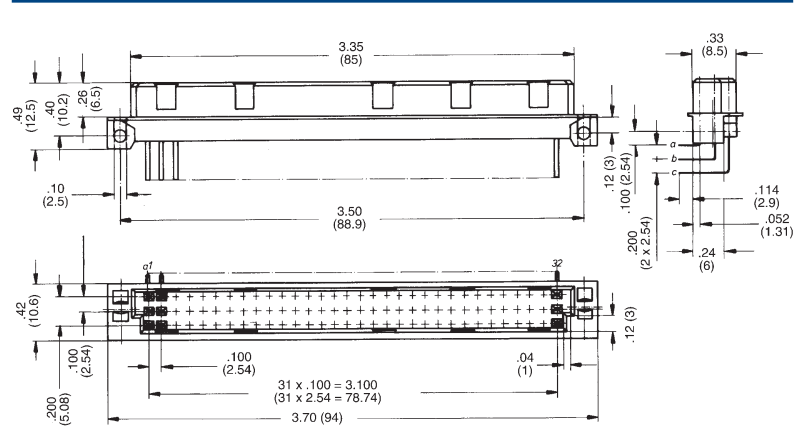
Part Numbers

No. of Contacts	Contact Arrangement	Performance Level ³⁾	Soldering		Press-Fit	Press-Fit Insertion Die
						
64	Row a + c	2	130-964-133	—	130-964-332*	200-022-013
		3	130-964-153	130-964-151	130-964-352	
96	Fully Equipped (Rows a + b + c)	2	130-096-133	130-096-131	130-096-332	
		3	130-096-153	130-096-151	130-096-352	

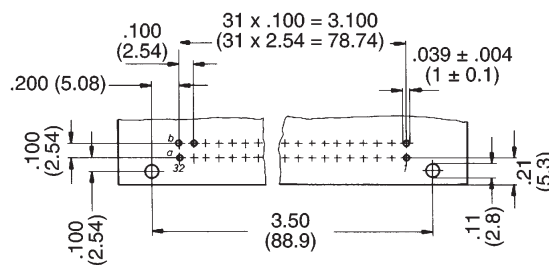
* Contact Factory for Availability

**Type R —
Series 130**

**64 and 96 Contact Inverse
Female Three Row
Connectors**



Printed Circuit Layout



Part Numbers

No. of Contacts	Contact Arrangement	Performance Level	Termination Methods
64	Row a + c	2	130-964-533
		3	130-964-553
96	Fully Equipped (Rows a + b + c)	2	130-096-533
		3	130-096-553