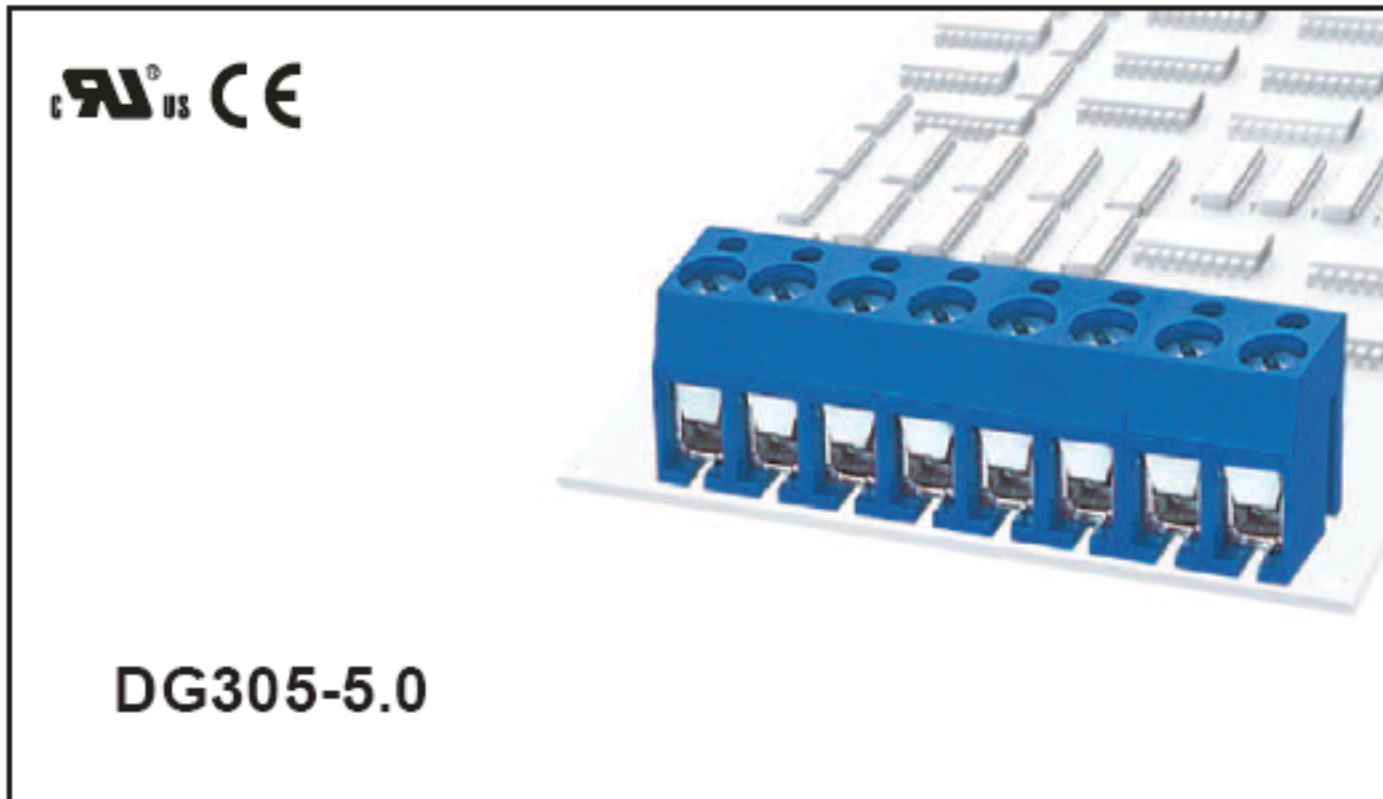


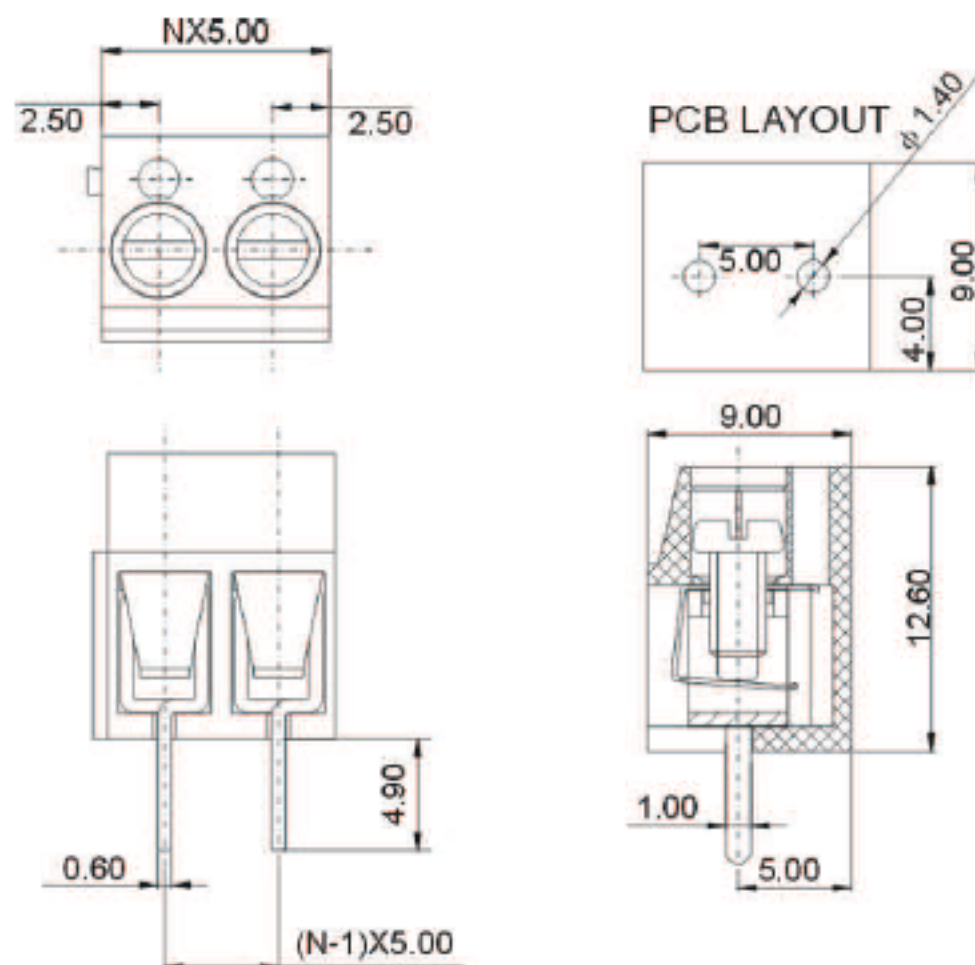


DEGSON ELECTRONICS CO., LTD.

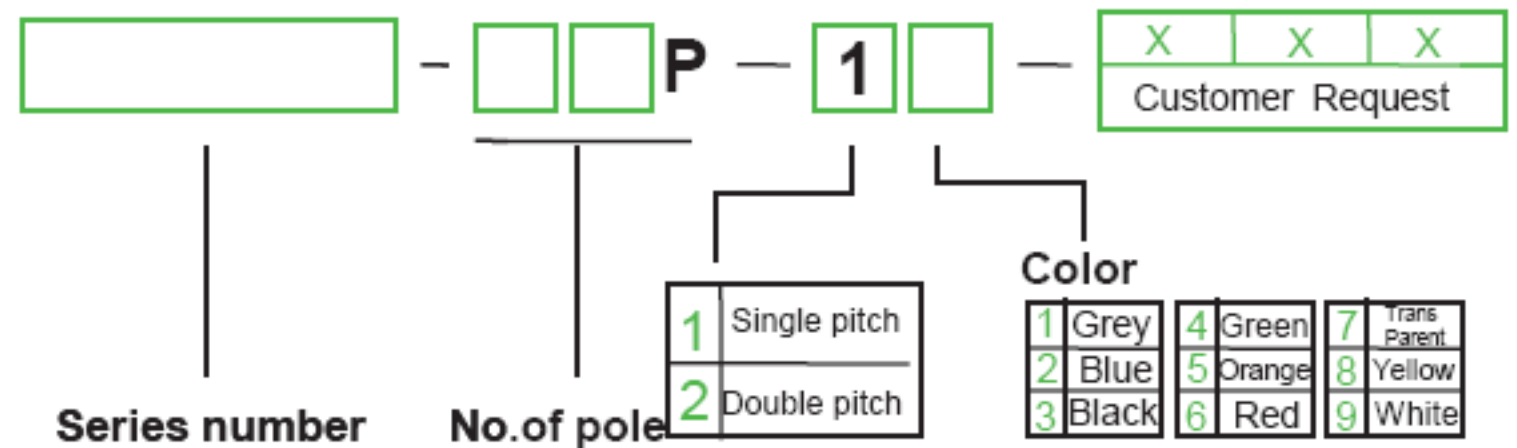
Product Specification



APPROVAL		
Electrical		
Standard	UL	IEC
Rated voltage	300V	250V
Rated current	15A	20A
Wire range	22-14AWG	2.5mm ²
Withstanding voltage	AC2000V/1Min	
Mechanical		
Torque	0.4Nm(3.5Lb-In)	
Ambient temperature	-30°C~+120 °C	
Strip length	5-6mm	
Dimensions		
Pitch	5.0mm(.197")	
Poles	2P,3P-24P	
Material		
Housing	PBT,UL94V-0	
Screws	M2.5,steel, Cr ³⁺ Zn-plated	
Pin header	Brass,Tin plated	
Wire guard	Stainless steel	



HOW TO ORDER :



	DEGSON ELECTRONICS CO., LTD.
	NAME DG305-5.0