



Cable Hood

A cable connector housing or cable hood is available for all female H15, H15S2 and H15S4 type connectors with faston terminals (not suited for screw terminals). It serves as a strain relief, isolates connections and protects cables.

- Item number:** KSG-H15/H15S4
- Reference:** HZZ00141
- Delivery content:** Housing shell, cable duct with covers, cable clip, cable boot and screws

If using the cable hood together with retention clips, a special version is available, where both sides of the hood are slightly modified in order to allow for insertion of the clips. The cable hood with retention clips has been tested to withstand vibrations according to IEC/EN 60068-2-6: 5 g, 7.5 h (2.5 h per axis).

- Item number:** KSG-H15/H15S4-V
- Reference:** HZZ00142
- Delivery content:** Housing shell, cable duct with covers, cable clip, cable boot and screws

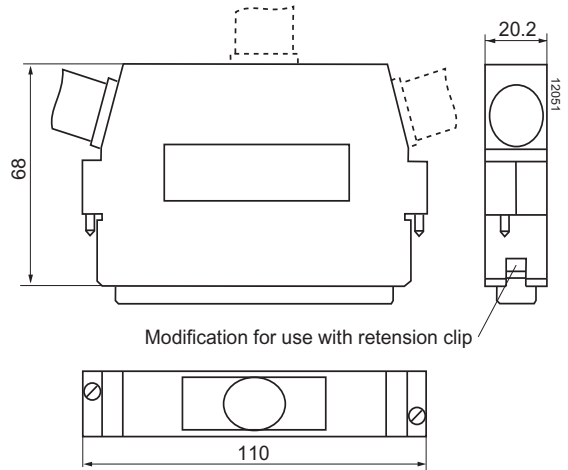


Fig. 21
Cable hood for H15 and H15S4 connectors

Cable Hood Retention Brackets CHRB

The cable hood can also be fixed to the converter case with two U-shaped cable hood retention brackets.

Note: Available for H, M, K, S, PSK, PSS, PSL, T Series.

- Item number:** CHRB-KSG
- Reference:** HZZ01218
- Delivery content:** 2 brackets with 2 screws



Fig. 22
Cable hood retention bracket CHRB

NUCLEAR AND MEDICAL APPLICATIONS - Power-One products are not designed, intended for use in, or authorized for use as critical components in life support systems, equipment used in hazardous environments, or nuclear control systems without the express written consent of the respective divisional president of Power-One, Inc.

TECHNICAL REVISIONS - The appearance of products, including safety agency certifications pictured on labels, may change depending on the date manufactured. Specifications are subject to change without notice.