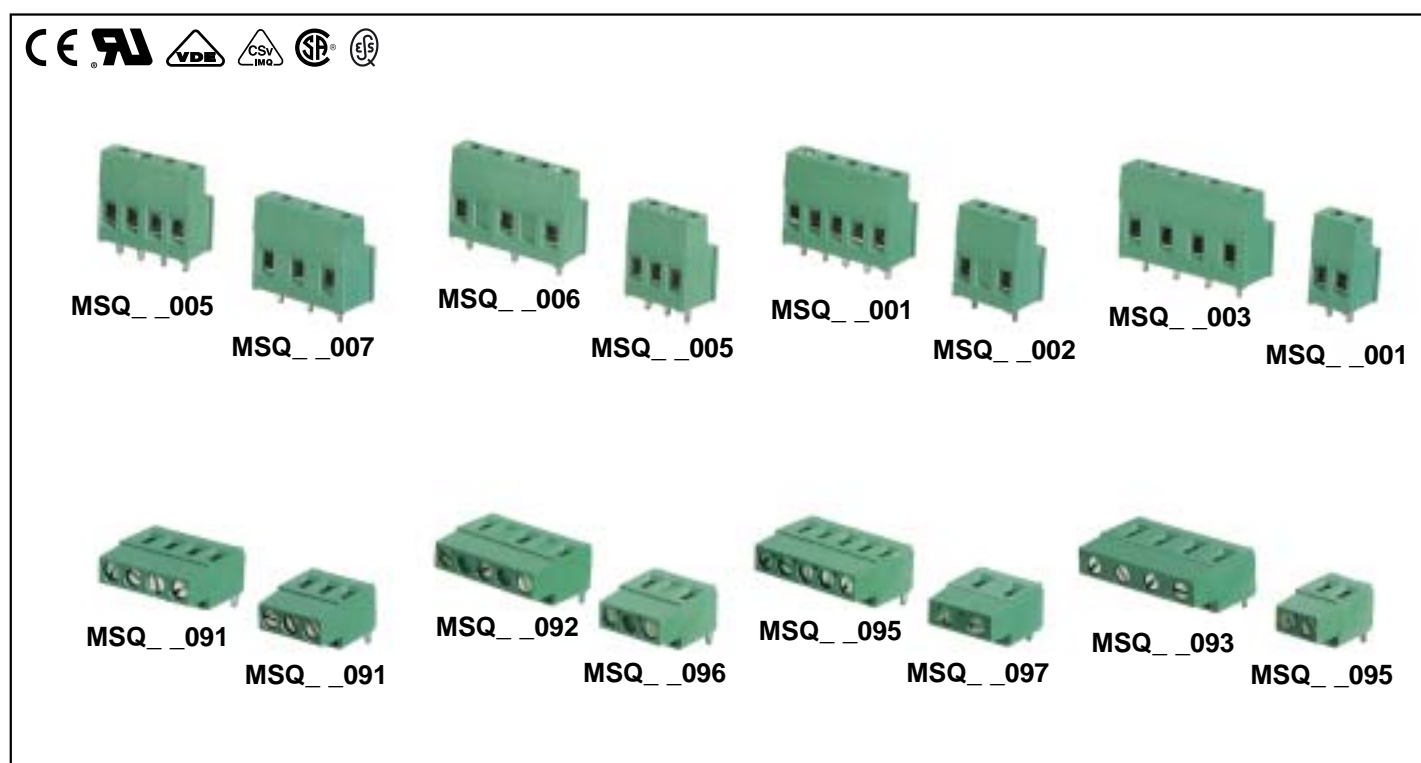




Dimensional Class: HIGH
Standard Color: GREEN
Height: .748 in (19.0 mm) Straight - .394 in (10.0 mm) 90°
Clamp Opening Size: .102 x .138 in (2.6 x 3.5 mm)
Wire Diameter: max. .102 in (5.31 mm²)
Versions: Modular with Dovetails
Single Mold Poles: from 2 to 25
Metric Pitches: .197 in (5 mm), .295 in (7.5 mm), .394 in (10 mm)
Imperial Pitches: .2 in (5.08 mm), .3 in (7.62 mm), .4 in (10.16 mm)

Classe Dimensionale: ALTA
Colore Standard: VERDE
Altezza: 19,0 mm Dritto - 10,0 mm 90°
Apertura Introduzione Filo: 2,6 x 3,5 mm
Diametro Filo Inseribile: max. 2,6 mm (5,31 mm²)
Versioni: Modulare con incastro a coda di rondine
Vie Monolitiche: da 2 a 25
Passi Metrici: 5 mm, 7,5 mm, 10 mm
Passi in Pollici: 5,08 mm, 7,62 mm, 10,16 mm

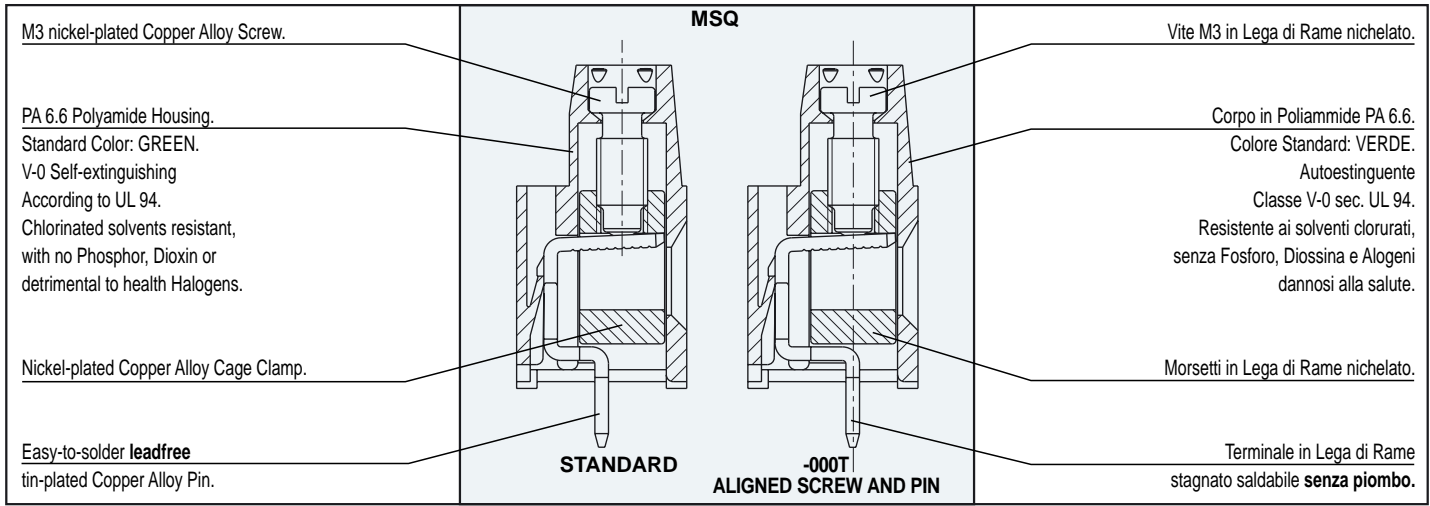


The modular MSQ terminal block Series for printed circuit boards satisfies the user's mounting needs with the following possibilities:

- using individual single mold terminal blocks from 2 to 25 poles;
- combining single mold terminal blocks from 2 to 25 poles to obtain any number of poles; all MSQ products, including single mold versions, have dovetail capabilities;
- minimizing the stock by storing only some base terminal blocks (ex. 2 - 3... 25 poles) to enable combinations as described above;
- being included in a custom Kit package to simplify the product management (part-numbers reduction), to minimize the stock, to improve the assembly and to reduce production errors.

La morsettiere modulare Serie MSQ per circuiti stampati soddisfa le esigenze di montaggio dell'utilizzatore; infatti è possibile:

- utilizzare singolarmente le morsettiere base monolitiche da 2 a 25 vie;
- comporre le morsettiere base monolitiche da 2 a 25 vie per ottenere qualsiasi numero di vie;
- gestire uno stoccaggio minimo di morsettiere base (es. 2 - 3... 25 vie) per ottenere quanto sopra;
- utilizzare le confezioni Kit che permettono una semplificazione della gestione del prodotto (riduzione dei part-number), del magazzino, dell'assemblaggio, nonché una riduzione dei rischi d'errore.



M3 nickel-plated Copper Alloy Screw.

PA 6.6 Polyamide Housing.
Standard Color: GREEN.
V-0 Self-extinguishing
According to UL 94.
Chlorinated solvents resistant,
with no Phosphor, Dioxin or
detrimental to health Halogens.

Nickel-plated Copper Alloy Cage Clamp.

Easy-to-solder **leadfree**
tin-plated Copper Alloy Pin.

MSQ

STANDARD

**-000T
ALIGNED SCREW AND PIN**

Vite M3 in Lega di Rame nichelato.

Corpo in Poliammide PA 6.6.
Colore Standard: VERDE.
Autoestinguente
Classe V-0 sec. UL 94.
Resistente ai solventi clorurati,
senza Fosforo, Diossina e Alogeni
dannosi alla salute.

Morsetti in Lega di Rame nichelato.

Terminale in Lega di Rame
stagnato saldabile **senza piombo.**

Mechanical Characteristics

Recommended tightening torque: 0.8 Nm (UL)*
PCB thickness: max. .094 in (max. 2.4 mm)
PCB hole diameter: min. .055 in (min. 1.4 mm)
Stripping length: .26 ÷ .28 in (6.5 ÷ 7 mm)
Operating temperature range: -40 °F ÷ +230 °F (-40 °C ÷ +110 °C)
Climatic category: 40/110/21 According to IEC 68-1

Electrical Characteristics

Solid wire section: 30÷11 AWG - 0.05÷4 mm² (UL, CSA)*
Stranded wire section: 30÷11 AWG - 0.05÷2.5 mm² (UL, CSA)*
Rated voltage: .197 in (5 mm) and .200 in (5.08 mm) pitch 300 V (UL, CSA)*
.295 in (7.5 mm) and .300 in (7.62 mm) pitch 750 V (IMQ)*
.394 in (10 mm) and .400 in (10.16 mm) pitch 750 V (IMQ)*
Rated current: 32 A (IMQ)*
Contact resistance: <15 mΩ
Insulation resistance: >10⁹ Ω (500V DC)

*All the a.m. data refer to the highest values amongst the certificated ones (). **V** voltage, **I** current values and tightening torque are related to the norms to be applied to the product and to its use.

Caratteristiche Meccaniche

Coppia di serraggio consigliata: 0,8 Nm (UL)*
Spessore circuito stampato: max. 2,4 mm
Diametro fori circuito stampato: min. 1,4 mm
Lunghezza di spellatura: 6,5 ÷ 7 mm
Temperature di funzionamento: -40 °C ÷ +110 °C
Categoria climatica: 40/110/21 Secondo IEC 68-1

Caratteristiche Elettriche

Conduttore connettabile rigido: 0,05÷4 mm² - 30÷11 AWG (UL, CSA)*
Conduttore connettabile flessibile: 0,05÷2,5 mm² - 30÷11 AWG (UL, CSA)*
Tensione nominale: passo 5 mm e 5,08 mm 300 V (UL, CSA)*
passo 7,5 mm e 7,62 mm 750 V (IMQ)*
passo 10 mm e 10,16 mm 750 V (IMQ)*
Corrente nominale: 32 A (IMQ)*
Resistenza di contatto: <15 mΩ
Resistenza di isolamento: >10⁹ Ω (500V CC)

*Per ogni caratteristica, i dati riportati si riferiscono ai massimi valori fra quelli certificati (). I valori di tensione **V** corrente **I** e, coppia di serraggio sono legati alle norme applicabili al prodotto ed al tipo di utilizzo.

Approvals

(see also "Certifications", page 22)

VDE: **Reg. N. 5659 ÜG**
250 V - 20 A - T 110 - 2.5 mm² for 5 mm and 5.08 mm pitch
450 V - 24 A - T 110 - 2.5 mm² for 7.5 mm and 7.62 mm pitch
750 V - 24 A - T 110 - 2.5 mm² for 10 mm and 10.16 mm pitch

IMQ: **Certificate with Surveillance IMQ CSv EB731**
ESS: 250 V - T 110 - 32 A - 4 mm² solid (24 A - 2.5 mm² stranded) for 5 mm and 5.08 mm pitch
750 V - T 110 - 32 A - 4 mm² solid (24 A - 2.5 mm² stranded)
for 7.5 mm, 7.62 mm, 10 mm and 10.16 mm pitch

CSA: **File LR 102896-1**
300 V - 24 A - 30÷11 AWG for 5 mm and 5.08 mm pitch
450 V - 24 A - 30÷11 AWG for 7.5 mm and 7.62 mm pitch
600 V - 24 A - 30÷11 AWG for 10 mm and 10.16 mm pitch

UL: **File E 167473**
300 V - 24 A (Factory Wiring), 20 A (Field Wiring) - 30÷12 AWG
for 5 mm, 5.08 mm, 7.5 mm and 7.62 mm pitch
600 V - 24 A (Factory Wiring), 20 A (Field Wiring) - 30÷12 AWG
for 10 mm and 10.16 mm pitch
Application values for end-use equipment have to be
in accordance to UL norms and applicable to it.

Certificazioni

(vedi anche "Certificazioni", pag. 22)

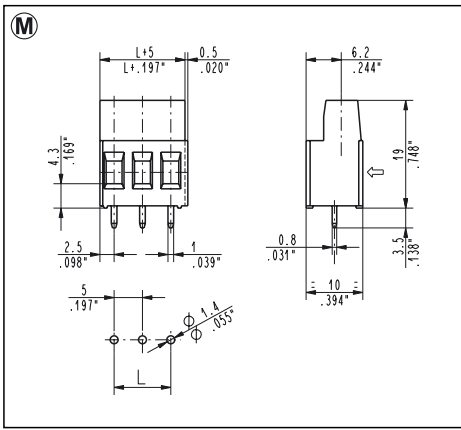


VDE: **Reg. N. 5659 ÜG**
250 V - 20 A - T 110 - 2.5 mm² per passo 5 mm e 5,08 mm
450 V - 24 A - T 110 - 2.5 mm² per passo 7,5 mm e 7,62 mm
750 V - 24 A - T 110 - 2.5 mm² per passo 10 mm e 10,16 mm

IMQ: **Certificato con Sorveglianza IMQ CSv EB731**
ESS: 250 V - T 110 - 32 A - 4 mm² rigido (24 A - 2.5 mm² flessibile) per passo 5 mm e 5,08 mm
750 V - T 110 - 32 A - 4 mm² rigido (24 A - 2.5 mm² flessibile)
per passo 7,5 mm, 7,62 mm, 10 mm e 10,16 mm

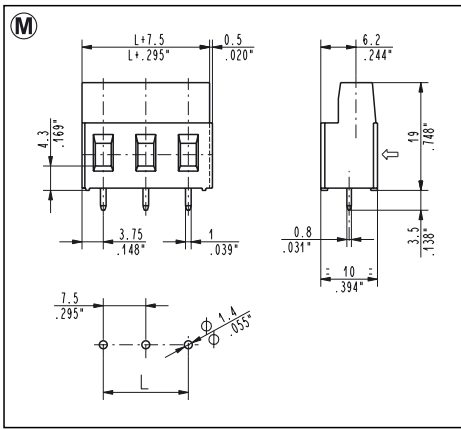
CSA: **File LR 102896-1**
300 V - 24 A - 30÷11 AWG per passo 5 mm e 5,08 mm
450 V - 24 A - 30÷11 AWG per passo 7,5 mm e 7,62 mm
600 V - 24 A - 30÷11 AWG per passo 10 mm e 10,16 mm

UL: **File E 167473**
300 V - 24 A (Factory Wiring), 20 A (Field Wiring) - 30÷12 AWG
per passo 5 mm, 5,08 mm, 7,5 mm e 7,62 mm
600 V - 24 A (Factory Wiring), 20 A (Field Wiring) - 30÷12 AWG
per passo 10 mm e 10,16 mm
I valori di utilizzo per l'apparecchiatura finale
devono essere conformi alle norme UL ad essa applicabili.



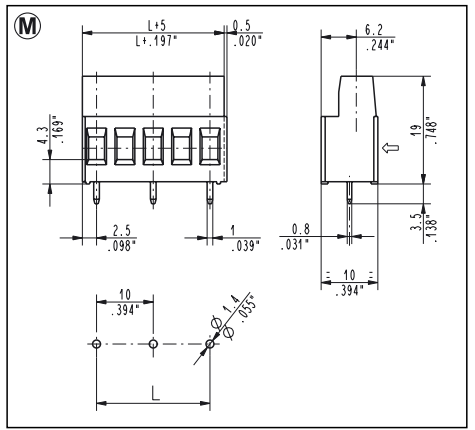
MSQ_001 Straight, Side Entry
5 mm / .197" Pitch Weight per pole: 2.03 g

Poles	STD Code	L [mm]	L [inch]	Pcs/pack.	W [kg]
02	MSQ02001	5.00	0.197	350	1.42
03	MSQ03001	10.00	0.394	225	1.37
04	MSQ04001	15.00	0.591	175	1.42
05	MSQ05001	20.00	0.787	125	1.27
06	MSQ06001	25.00	0.984	125	1.52
07	MSQ07001	30.00	1.181	100	1.42
08	MSQ08001	35.00	1.378	75	1.22
09	MSQ09001	40.00	1.575	75	1.37
10	MSQ10001	45.00	1.772	75	1.52
11	MSQ11001	50.00	1.969	75	1.67
12	MSQ12001	55.00	2.165	50	1.22
13	MSQ13001	60.00	2.362	50	1.32
14	MSQ14001	65.00	2.559	50	1.42
15	MSQ15001	70.00	2.756	50	1.52
16	MSQ16001	75.00	2.953	50	1.62
17	MSQ17001	80.00	3.150	50	1.72
18	MSQ18001	85.00	3.346	50	1.83
19	MSQ19001	90.00	3.543	25	0.96
20	MSQ20001	95.00	3.740	25	1.01
21	MSQ21001	100.00	3.937	25	1.06
22	MSQ22001	105.00	4.134	25	1.12
23	MSQ23001	110.00	4.331	25	1.17
24	MSQ24001	115.00	4.528	25	1.22
25	MSQ25001	120.00	4.724	25	1.27



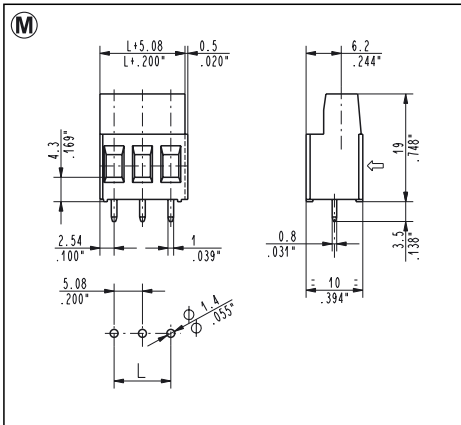
MSQ_003 Straight, Side Entry
7.5 mm / .295" Pitch Weight per pole: 2.40 g

Poles	STD Code	L [mm]	L [inch]	Pcs/pack.	W [kg]
02	MSQ02003	7.50	0.295	225	1.08
03	MSQ03003	15.00	0.591	150	1.08
04	MSQ04003	22.50	0.886	100	0.96



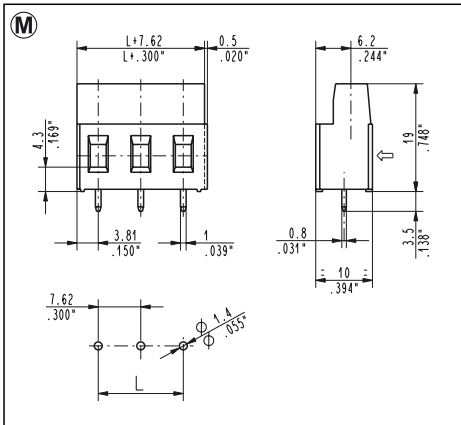
MSQ_002 Straight, Side Entry
10 mm / .394" Pitch Weight per pole: 2.51 g

Poles	STD Code	L [mm]	L [inch]	Pcs/pack.	W [kg]
02	MSQ02002	10.00	0.394	225	1.13
03	MSQ03002	20.00	0.787	125	0.94
04	MSQ04002	30.00	1.181	100	1.01
05	MSQ05002	40.00	1.575	75	0.94
06	MSQ06002	50.00	1.969	75	1.13
07	MSQ07002	60.00	2.362	50	0.88
08	MSQ08002	70.00	2.756	50	1.01
09	MSQ09002	80.00	3.150	50	1.13
10	MSQ10002	90.00	3.543	25	0.63
11	MSQ11002	100.00	3.937	25	0.69
12	MSQ12002	110.00	4.331	25	0.76
13	MSQ13002	120.00	4.724	25	0.82



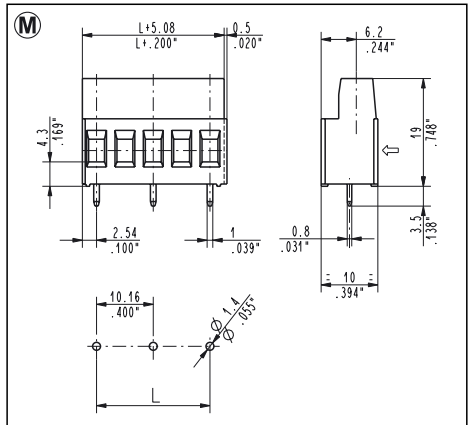
MSQ_005 Straight, Side Entry
5.08 mm / .200" Pitch Weight per pole: 2.03 g

Poles	STD Code	L [mm]	L [inch]	Pcs/pack.	W [kg]
02	MSQ02005	5.08	0.200	350	1.42
03	MSQ03005	10.16	0.400	225	1.37
04	MSQ04005	15.24	0.600	175	1.42
05	MSQ05005	20.32	0.800	125	1.27
06	MSQ06005	25.40	1.000	125	1.52
07	MSQ07005	30.48	1.200	100	1.42
08	MSQ08005	35.56	1.400	75	1.22
09	MSQ09005	40.64	1.600	75	1.37
10	MSQ10005	45.72	1.800	75	1.52
11	MSQ11005	50.80	2.000	75	1.67
12	MSQ12005	55.88	2.200	50	1.22
13	MSQ13005	60.96	2.400	50	1.32
14	MSQ14005	66.04	2.600	50	1.42
15	MSQ15005	71.12	2.800	50	1.52
16	MSQ16005	76.20	3.000	50	1.62
17	MSQ17005	81.28	3.200	50	1.72
18	MSQ18005	86.36	3.400	50	1.83
19	MSQ19005	91.44	3.600	25	0.96
20	MSQ20005	96.52	3.800	25	1.01
21	MSQ21005	101.60	4.000	25	1.06
22	MSQ22005	106.68	4.200	25	1.12
23	MSQ23005	111.76	4.400	25	1.17
24	MSQ24005	116.84	4.600	25	1.22
25	MSQ25005	121.92	4.800	25	1.27



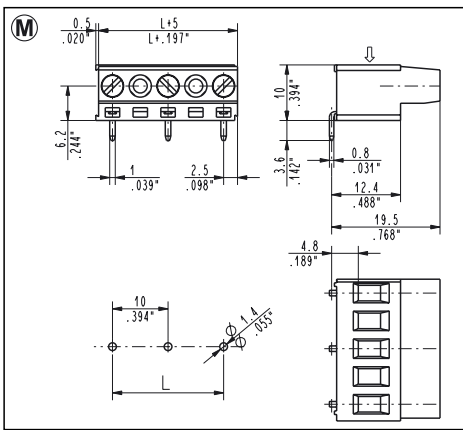
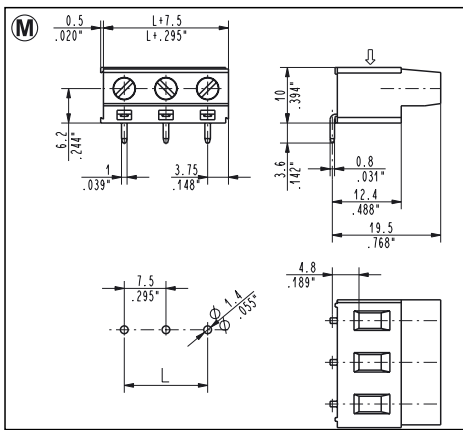
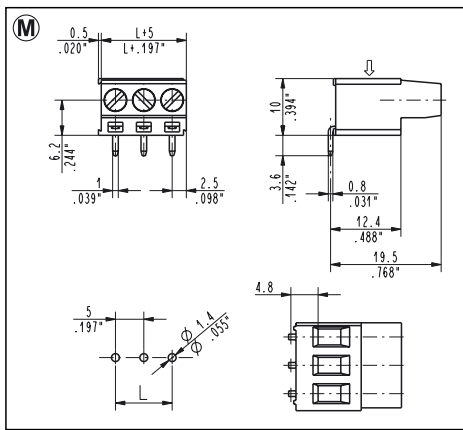
MSQ_007 Straight, Side Entry
7.62 mm / .300" Pitch Weight per pole: 2.40 g

Poles	STD Code	L [mm]	L [inch]	Pcs/pack.	W [kg]
02	MSQ02007	7.62	0.300	225	1.08
03	MSQ03007	15.24	0.600	150	1.08



MSQ_006 Straight, Side Entry
10.16 mm / .400" Pitch Weight per pole: 2.51 g

Poles	STD Code	L [mm]	L [inch]	Pcs/pack.	W [kg]
02	MSQ02006	10.16	0.400	225	1.13
03	MSQ03006	20.32	0.800	125	0.94
04	MSQ04006	30.48	1.200	100	1.01
05	MSQ05006	40.64	1.600	75	0.94
06	MSQ06006	50.80	2.000	75	1.13
07	MSQ07006	60.96	2.400	50	0.88
08	MSQ08006	71.12	2.800	50	1.01
09	MSQ09006	81.28	3.200	50	1.13
10	MSQ10006	91.44	3.600	25	0.63
11	MSQ11006	101.60	4.000	25	0.69
12	MSQ12006	111.76	4.400	25	0.76
13	MSQ13006	121.92	4.800	25	0.82



MSQ_091 90°, Top Entry
5 mm / .197" Pitch Weight per pole: 2.03 g

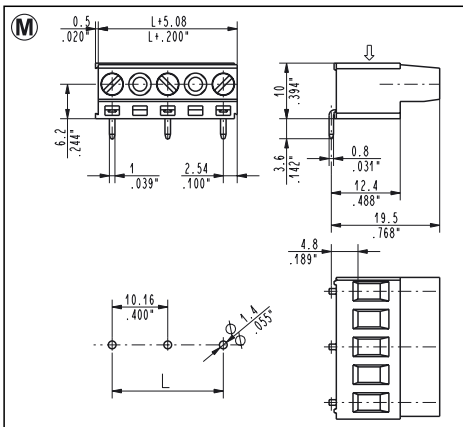
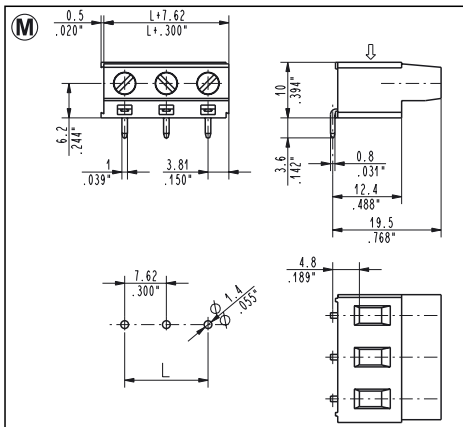
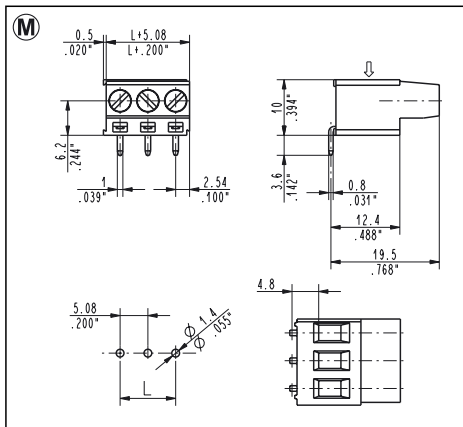
Poles	STD Code	L [mm]	L [inch]	Pcs/pack.	W [kg]
02	MSQ02091	5.00	0.197	350	1.42
03	MSQ03091	10.00	0.394	225	1.37
04	MSQ04091	15.00	0.591	175	1.42
05	MSQ05091	20.00	0.787	125	1.27
06	MSQ06091	25.00	0.984	125	1.52
07	MSQ07091	30.00	1.181	100	1.42
08	MSQ08091	35.00	1.378	75	1.22
09	MSQ09091	40.00	1.575	75	1.37
10	MSQ10091	45.00	1.772	75	1.52
11	MSQ11091	50.00	1.969	75	1.67
12	MSQ12091	55.00	2.165	50	1.22
13	MSQ13091	60.00	2.362	50	1.32
14	MSQ14091	65.00	2.559	50	1.42
15	MSQ15091	70.00	2.756	50	1.52
16	MSQ16091	75.00	2.953	50	1.62
17	MSQ17091	80.00	3.150	50	1.72
18	MSQ18091	85.00	3.346	50	1.83
19	MSQ19091	90.00	3.543	25	0.96
20	MSQ20091	95.00	3.740	25	1.01
21	MSQ21091	100.00	3.937	25	1.06
22	MSQ22091	105.00	4.134	25	1.12
23	MSQ23091	110.00	4.331	25	1.17
24	MSQ24091	115.00	4.528	25	1.22
25	MSQ25091	120.00	4.724	25	1.27

MSQ_093 90°, Top Entry
7.5 mm / .295" Pitch Weight per pole: 2.40 g

Poles	STD Code	L [mm]	L [inch]	Pcs/pack.	W [kg]
02	MSQ02093	7.50	0.295	225	1.08
03	MSQ03093	15.00	0.591	150	1.08
04	MSQ04093	22.50	0.886	100	0.96

MSQ_092 90°, Top Entry
10 mm / .394" Pitch Weight per pole: 2.51 g

Poles	STD Code	L [mm]	L [inch]	Pcs/pack.	W [kg]
02	MSQ02092	10.00	0.394	225	1.13
03	MSQ03092	20.00	0.787	125	0.94
04	MSQ04092	30.00	1.181	100	1.01
05	MSQ05092	40.00	1.575	75	0.94
06	MSQ06092	50.00	1.969	75	1.13
07	MSQ07092	60.00	2.362	50	0.88
08	MSQ08092	70.00	2.756	50	1.01
09	MSQ09092	80.00	3.150	50	1.13
10	MSQ10092	90.00	3.543	25	0.63
11	MSQ11092	100.00	3.937	25	0.69
12	MSQ12092	110.00	4.331	25	0.76
13	MSQ13092	120.00	4.724	25	0.82



MSQ_095 90°, Top Entry
5.08 mm / .200" Pitch Weight per pole: 2.03 g

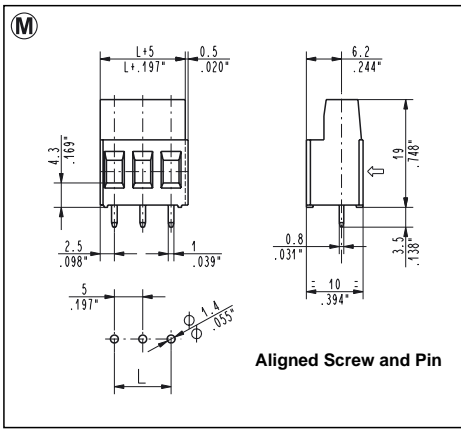
Poles	STD Code	L [mm]	L [inch]	Pcs/pack.	W [kg]
02	MSQ02095	5.08	0.200	350	1.42
03	MSQ03095	10.16	0.400	225	1.37
04	MSQ04095	15.24	0.600	175	1.42
05	MSQ05095	20.32	0.800	125	1.27
06	MSQ06095	25.40	1.000	125	1.52
07	MSQ07095	30.48	1.200	100	1.42
08	MSQ08095	35.56	1.400	75	1.22
09	MSQ09095	40.64	1.600	75	1.37
10	MSQ10095	45.72	1.800	75	1.52
11	MSQ11095	50.80	2.000	75	1.67
12	MSQ12095	55.88	2.200	50	1.22
13	MSQ13095	60.96	2.400	50	1.32
14	MSQ14095	66.04	2.600	50	1.42
15	MSQ15095	71.12	2.800	50	1.52
16	MSQ16095	76.20	3.000	50	1.62
17	MSQ17095	81.28	3.200	50	1.72
18	MSQ18095	86.36	3.400	50	1.83
19	MSQ19095	91.44	3.600	25	0.96
20	MSQ20095	96.52	3.800	25	1.01
21	MSQ21095	101.60	4.000	25	1.06
22	MSQ22095	106.68	4.200	25	1.12
23	MSQ23095	111.76	4.400	25	1.17
24	MSQ24095	116.84	4.600	25	1.22
25	MSQ25095	121.92	4.800	25	1.27

MSQ_097 90°, Top Entry
7.62 mm / .300" Pitch Weight per pole: 2.40 g

Poles	STD Code	L [mm]	L [inch]	Pcs/pack.	W [kg]
02	MSQ02097	7.62	0.300	225	1.08
03	MSQ03097	15.24	0.600	150	1.08

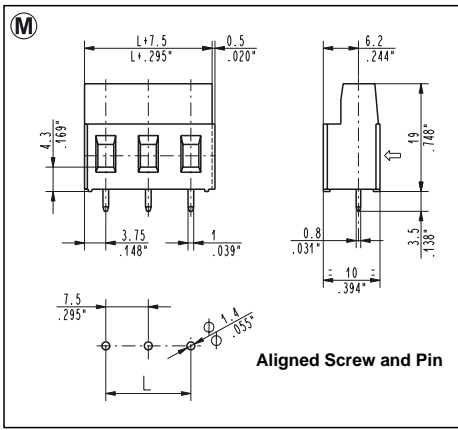
MSQ_096 90°, Top Entry
10.16 mm / .400" Pitch Weight per pole: 2.51 g

Poles	STD Code	L [mm]	L [inch]	Pcs/pack.	W [kg]
02	MSQ02096	10.16	0.400	225	1.13
03	MSQ03096	20.32	0.800	125	0.94
04	MSQ04096	30.48	1.200	100	1.01
05	MSQ05096	40.64	1.600	75	0.94
06	MSQ06096	50.80	2.000	75	1.13
07	MSQ07096	60.96	2.400	50	0.88
08	MSQ08096	71.12	2.800	50	1.01
09	MSQ09096	81.28	3.200	50	1.13
10	MSQ10096	91.44	3.600	25	0.63
11	MSQ11096	101.60	4.000	25	0.69
12	MSQ12096	111.76	4.400	25	0.76
13	MSQ13096	121.92	4.800	25	0.82



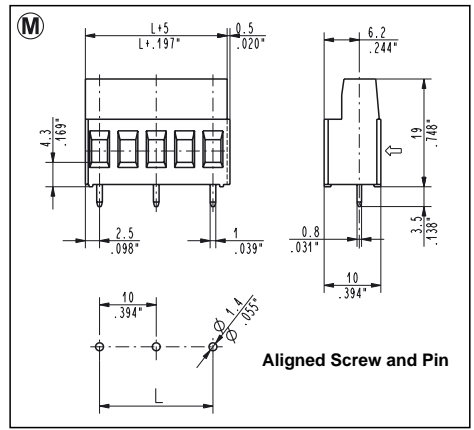
MSQ_001 - 000T Straight, Side Entry
5 mm / .197" Pitch Weight per pole: 2.03 g

Poles	STD Code	L [mm]	L [inch]	Pcs/pack.	W [kg]
02	MSQ02001-000T	5.00	0.197	350	1.42
03	MSQ03001-000T	10.00	0.394	225	1.37
04	MSQ04001-000T	15.00	0.591	175	1.42
05	MSQ05001-000T	20.00	0.787	125	1.27
06	MSQ06001-000T	25.00	0.984	125	1.52
07	MSQ07001-000T	30.00	1.181	100	1.42
08	MSQ08001-000T	35.00	1.378	75	1.22
09	MSQ09001-000T	40.00	1.575	75	1.37
10	MSQ10001-000T	45.00	1.772	75	1.52
11	MSQ11001-000T	50.00	1.969	75	1.67
12	MSQ12001-000T	55.00	2.165	50	1.22
13	MSQ13001-000T	60.00	2.362	50	1.32
14	MSQ14001-000T	65.00	2.559	50	1.42
15	MSQ15001-000T	70.00	2.756	50	1.52
16	MSQ16001-000T	75.00	2.953	50	1.62
17	MSQ17001-000T	80.00	3.150	50	1.72
18	MSQ18001-000T	85.00	3.346	50	1.83
19	MSQ19001-000T	90.00	3.543	25	0.96
20	MSQ20001-000T	95.00	3.740	25	1.01
21	MSQ21001-000T	100.00	3.937	25	1.06
22	MSQ22001-000T	105.00	4.134	25	1.12
23	MSQ23001-000T	110.00	4.331	25	1.17
24	MSQ24001-000T	115.00	4.528	25	1.22
25	MSQ25001-000T	120.00	4.724	25	1.27



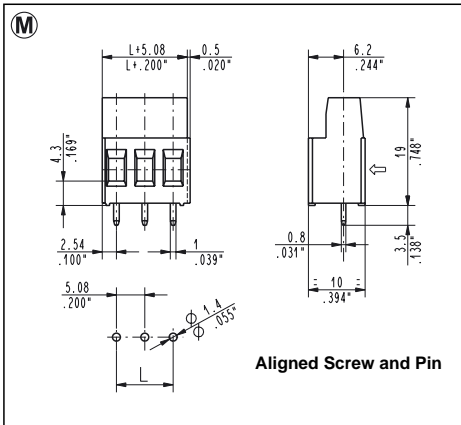
MSQ_003 - 000T Straight, Side Entry
7.5 mm / .295" Pitch Weight per pole: 2.40 g

Poles	STD Code	L [mm]	L [inch]	Pcs/pack.	W [kg]
02	MSQ02003-000T	7.50	0.295	225	1.08
03	MSQ03003-000T	15.00	0.591	150	1.08
04	MSQ04003-000T	22.50	0.886	100	0.96



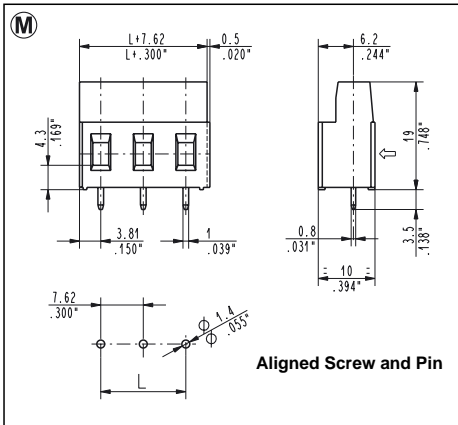
MSQ_002 - 000T Straight, Side Entry
10 mm / .394" Pitch Weight per pole: 2.51 g

Poles	STD Code	L [mm]	L [inch]	Pcs/pack.	W [kg]
02	MSQ02002-000T	10.00	0.394	225	1.13
03	MSQ03002-000T	20.00	0.787	125	0.94
04	MSQ04002-000T	30.00	1.181	100	1.01
05	MSQ05002-000T	40.00	1.575	75	0.94
06	MSQ06002-000T	50.00	1.969	75	1.13
07	MSQ07002-000T	60.00	2.362	50	0.88
08	MSQ08002-000T	70.00	2.756	50	1.01
09	MSQ09002-000T	80.00	3.150	50	1.13
10	MSQ10002-000T	90.00	3.543	25	0.63
11	MSQ11002-000T	100.00	3.937	25	0.69
12	MSQ12002-000T	110.00	4.331	25	0.76
13	MSQ13002-000T	120.00	4.724	25	0.82



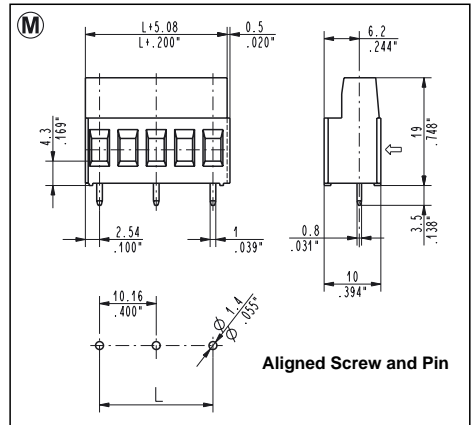
MSQ_005 - 000T Straight, Side Entry
5.08 mm / .200" Pitch Weight per pole: 2.03 g

Poles	STD Code	L [mm]	L [inch]	Pcs/pack.	W [kg]
02	MSQ02005-000T	5.08	0.200	350	1.42
03	MSQ03005-000T	10.16	0.400	225	1.37
04	MSQ04005-000T	15.24	0.600	175	1.42
05	MSQ05005-000T	20.32	0.800	125	1.27
06	MSQ06005-000T	25.40	1.000	125	1.52
07	MSQ07005-000T	30.48	1.200	100	1.42
08	MSQ08005-000T	35.56	1.400	75	1.22
09	MSQ09005-000T	40.64	1.600	75	1.37
10	MSQ10005-000T	45.72	1.800	75	1.52
11	MSQ11005-000T	50.80	2.000	75	1.67
12	MSQ12005-000T	55.88	2.200	50	1.22
13	MSQ13005-000T	60.96	2.400	50	1.32
14	MSQ14005-000T	66.04	2.600	50	1.42
15	MSQ15005-000T	71.12	2.800	50	1.52
16	MSQ16005-000T	76.20	3.000	50	1.62
17	MSQ17005-000T	81.28	3.200	50	1.72
18	MSQ18005-000T	86.36	3.400	50	1.83
19	MSQ19005-000T	91.44	3.600	25	0.96
20	MSQ20005-000T	96.52	3.800	25	1.01
21	MSQ21005-000T	101.60	4.000	25	1.06
22	MSQ22005-000T	106.68	4.200	25	1.12
23	MSQ23005-000T	111.76	4.400	25	1.17
24	MSQ24005-000T	116.84	4.600	25	1.22
25	MSQ25005-000T	121.92	4.800	25	1.27



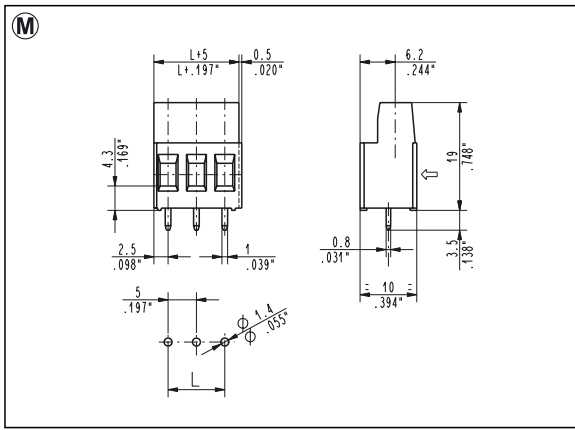
MSQ_007 - 000T Straight, Side Entry
7.62 mm / .300" Pitch Weight per pole: 2.40 g

Poles	STD Code	L [mm]	L [inch]	Pcs/pack.	W [kg]
02	MSQ02007-000T	7.62	0.300	225	1.08
03	MSQ03007-000T	15.24	0.600	150	1.08



MSQ_006 - 000T Straight, Side Entry
10.16 mm / .400" Pitch Weight per pole: 2.51 g

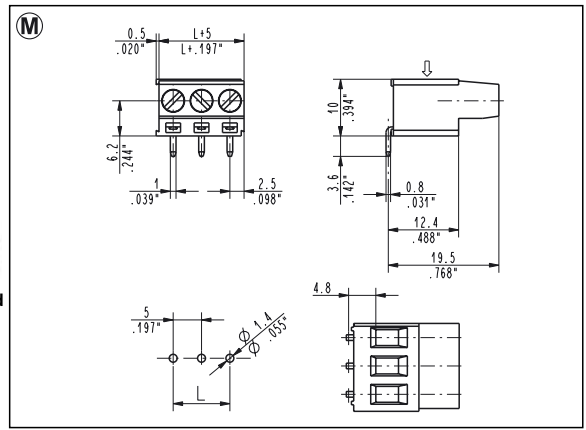
Poles	STD Code	L [mm]	L [inch]	Pcs/pack.	W [kg]
02	MSQ02006-000T	10.16	0.400	225	1.13
03	MSQ03006-000T	20.32	0.800	125	0.94
04	MSQ04006-000T	30.48	1.200	100	1.01
05	MSQ05006-000T	40.64	1.600	75	0.94
06	MSQ06006-000T	50.80	2.000	75	1.13
07	MSQ07006-000T	60.96	2.400	50	0.88
08	MSQ08006-000T	71.12	2.800	50	1.01
09	MSQ09006-000T	81.28	3.200	50	1.13
10	MSQ10006-000T	91.44	3.600	25	0.63
11	MSQ11006-000T	101.60	4.000	25	0.69
12	MSQ12006-000T	111.76	4.400	25	0.76
13	MSQ13006-000T	121.92	4.800	25	0.82



Short Circuited

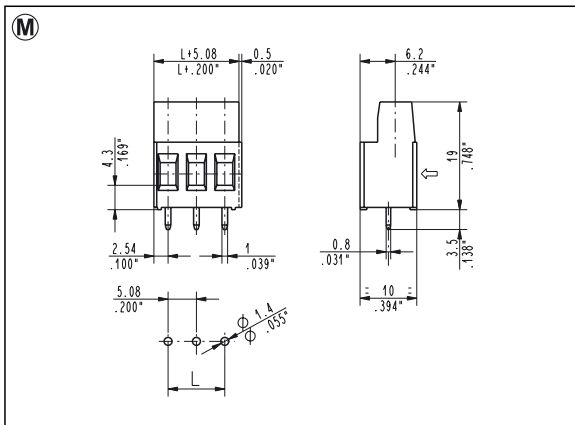
MSQ_001 - 000C Short Circuited Straight, Side Entry
5 mm / .197" Pitch Weight per pole: 2.04 g

Poles	STD Code	L [mm]	L [inch]	Pcs/pack.	W [kg]
02	MSQ02001-000C	5.00	0.197	350	1.43
03	MSQ03001-000C	10.00	0.394	225	1.38



MSQ_091 - 000C Short Circuited 90°, Top Entry
5 mm / .197" Pitch Weight per pole: 2.04 g

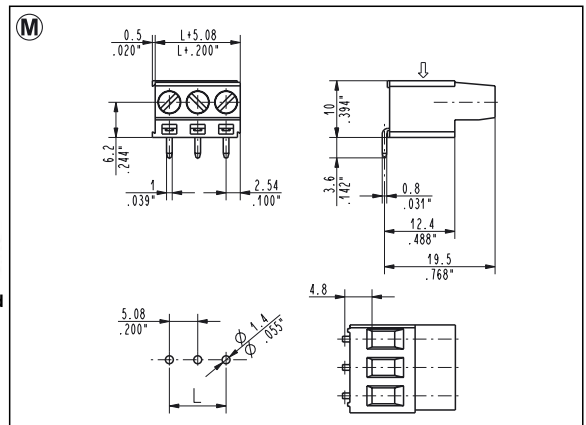
Poles	STD Code	L [mm]	L [inch]	Pcs/pack.	W [kg]
02	MSQ02091-000C	5.00	0.197	350	1.43
03	MSQ03091-000C	10.00	0.394	225	1.38



Short Circuited

MSQ_005 - 000C Short Circuited Straight, Side Entry
5.08 mm / .200" Pitch Weight per pole: 2.04 g

Poles	STD Code	L [mm]	L [inch]	Pcs/pack.	W [kg]
02	MSQ02005-000C	5.08	0.200	350	1.43
03	MSQ03005-000C	10.16	0.400	225	1.38



MSQ_095 - 000C Short Circuited 90°, Top Entry
5.08 mm / .200" Pitch Weight per pole: 2.04 g

Poles	STD Code	L [mm]	L [inch]	Pcs/pack.	W [kg]
02	MSQ02095-000C	5.08	0.200	350	1.43
03	MSQ03095-000C	10.16	0.400	225	1.38