

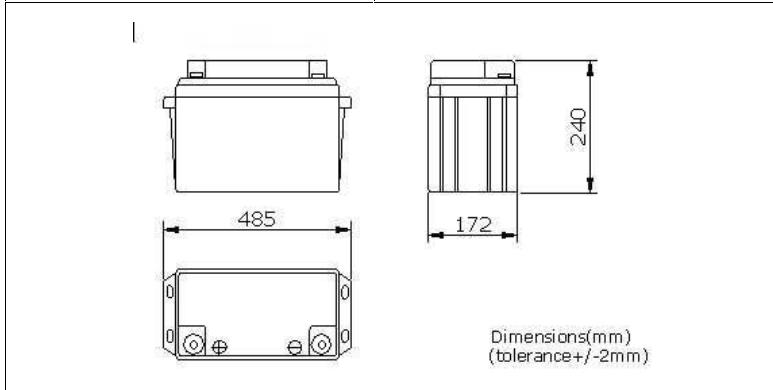
EnergiVm

CE  MH 28269

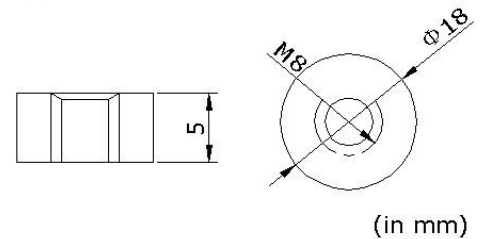
MVG121500(12V150AH)

PHYSICAL SPECIFICATION

Nominal Voltage Nominal Capacity (10HR)		12V 150Ah
Dimension	Length	485 2mm (19.09 inches)
	Width	172 2mm (6.77 inches)
	Container Height	240 2mm (9.45 inches)
	Total Height	240 2mm (9.45 inches)
Weight		Approx. 44.5Kg (98.1lbs)
Standard Terminal		Bolt-and-nut terminal Bolt Type: M8



Bolt-and-nut terminal
Bolt Type:M8



ELECTRICAL SPECIFICATION

Characteristics		
Capacity	10 hour rate (15A)	150Ah
	5 hour rate (25.5A)	128Ah
	3 hour rate (37.5A)	113Ah
	1 hour rate (90A)	90Ah
Capacity affected by temperature	40 (104 °F)	102%
	25 (77 °F)	100%
	0 (32 °F)	85%
Designed life	10 Years (25)	
Internal Resistance	Full charged battery (25 , 77 °F) 4.3m	
Constant Voltage Charge	Cycle	Initial Charging Current less than 37.5A Voltage 14.1~14.4V at 25 (77 °F) Temperature Coefficient -30mV/
	Standby	No limit on Initial Charging Current Voltage 13.5~13.8V at 25 (77 °F) Temperature Coefficient -20mV/

Discharge curves @ 25 (77 ° F)

