

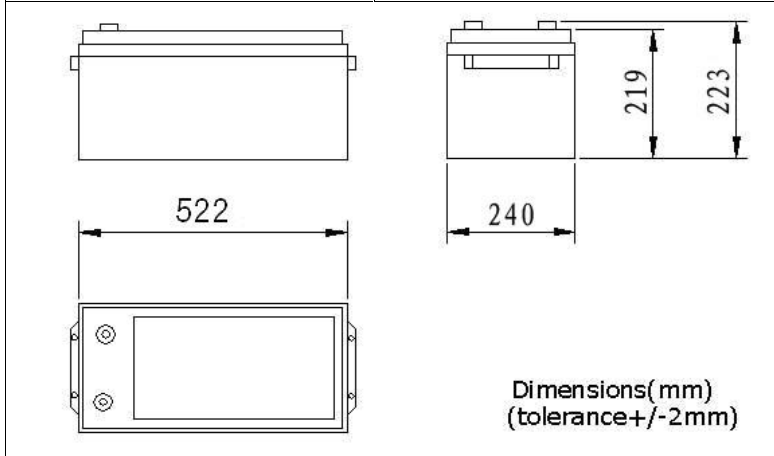
EnergiVm

CE  MH 28269

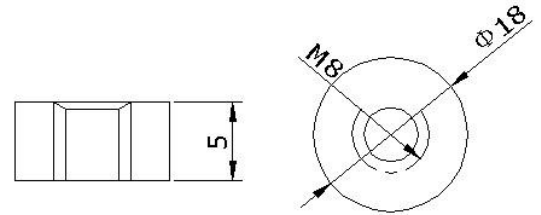
MVG122000(12V200AH)

PHYSICAL SPECIFICATION

Nominal Voltage Nominal Capacity (10HR)		12V 200Ah
Dimension	Length	522 2mm (20.51 inches)
	Width	240 2mm (9.45 inches)
	Container Height	219 2mm (8.62 inches)
	Total Height	223 2mm (8.78 inches)
Weight		Approx. 62 Kg (136.65lbs)
Standard Terminal		Bolt-and-nut lead terminal Bolt Type: M8



Bolt-and-nut terminal
Bolt Type:M8



(in mm)

ELECTRICAL SPECIFICATION

Characteristics									
Capacity	<table border="1"> <tr> <td>10 hour rate (20A)</td> <td>200Ah</td> </tr> <tr> <td>5 hour rate (34A)</td> <td>170Ah</td> </tr> <tr> <td>3 hour rate (50A)</td> <td>150Ah</td> </tr> <tr> <td>1 hour rate (120A)</td> <td>120Ah</td> </tr> </table>	10 hour rate (20A)	200Ah	5 hour rate (34A)	170Ah	3 hour rate (50A)	150Ah	1 hour rate (120A)	120Ah
10 hour rate (20A)	200Ah								
5 hour rate (34A)	170Ah								
3 hour rate (50A)	150Ah								
1 hour rate (120A)	120Ah								
Capacity affected by temperature	<table border="1"> <tr> <td>40 (104 °F)</td> <td>102%</td> </tr> <tr> <td>25 (77 °F)</td> <td>100%</td> </tr> <tr> <td>0 (32 °F)</td> <td>85%</td> </tr> </table>	40 (104 °F)	102%	25 (77 °F)	100%	0 (32 °F)	85%		
40 (104 °F)	102%								
25 (77 °F)	100%								
0 (32 °F)	85%								
Designed Floating life	10 Years (25)								
Internal Resistance	Full charged battery (25 ,77 °F) 6m								
Constant Voltage Charge	Cycle	Initial Charging Current less than 50A Voltage 14.1~14.4V at 25 (77 °F) Temperature Coefficient -30mV/							
	Standby	No limit on Initial Charging Current Voltage 13.5~13.8V at 25 (77 °F) Temperature Coefficient -20mV/							

Discharge curves @ 25 (77 °F)

