

信昌電子陶瓷股份有限公司

Prosperity Dielectrics Co., Ltd.

No.220-1, Sec. 2, Nanshan Rd., Lujhu, Taoyuan 33860, Taiwan, R.O.C

Tel. : 886-3-3224471 Fax : 886-3-3212216

SPECIFICATION FOR APPROVAL

DATE:

CUSTOMER: _____

PART NAME: Thick Film Lead Free & Halogen Free Chip Resistors

CUSTOMER'S DWG. NO. _____

CUSTOMER'S PART NO. _____

PDC PART NO. FCF SERIES APPROVED

DESCRIPTION. _____

RESULT \ ACTION	" √ "	CUSTOMER'S SIGNATURE	NOTE
FULL APPROVED			
CONDITIONAL APPROVED			
REJECTED			

OUR ACTION	SIGNATURE
PREPARED BY	<i>Jenny Tseng</i>
CHECKED BY	<i>Tony Chou</i>
APPROVED BY	<i>Byron Tsai</i>

CUSTOMER SIGNATURE FOR ACCEPTANCE

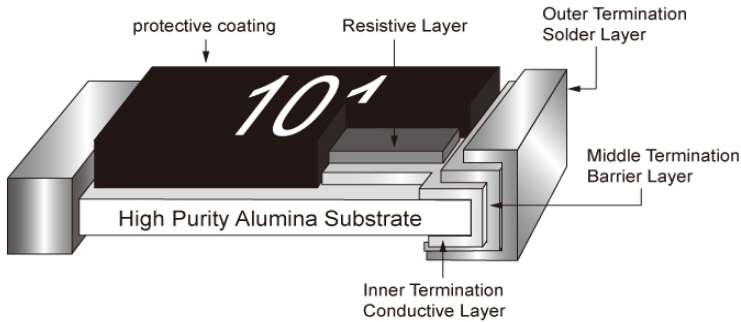
Features

- Suitable for lead free soldering.
- Compatible with wave and reflow soldering
- RoHS compliant & Halogen Free

Applications

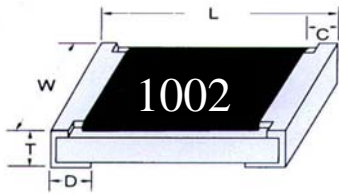
- Portable Devices
- Consumer Electronics
- Measurement instrument
- Computer / Motherboard

Configuration



Construction of Chip-Resistor

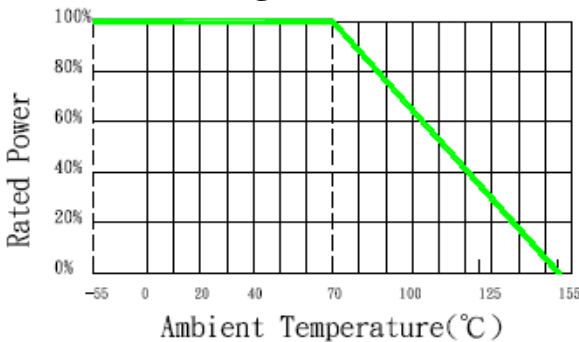
Dimensions



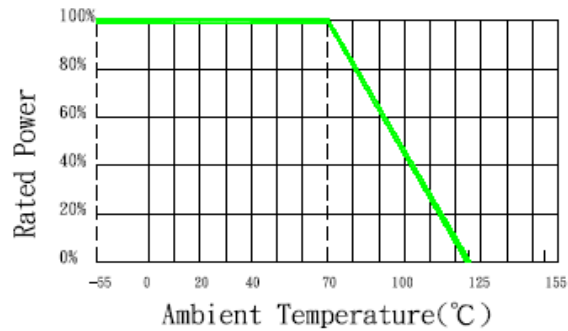
Size	L	W	C	D	T
0201	0.60±0.03	0.30±0.03	0.10±0.05	0.15±0.05	0.23±0.03
0402	1.00±0.05	0.50±0.05	0.20±0.10	0.25±0.10	0.35±0.05
0603	1.60±0.10	0.80±0.10	0.30±0.20	0.30±0.20	0.45±0.10
0805	2.00±0.10	1.25±0.10	0.40±0.20	0.40±0.20	0.50±0.10
1206	3.10±0.10	1.60±0.10	0.50±0.20	0.50±0.25	0.55±0.10
1210	3.10±0.10	2.60±0.15	0.50±0.25	0.50±0.25	0.55±0.10
2010	5.00±0.20	2.50±0.20	0.60±0.25	0.60±0.25	0.60±0.10
2512	6.40±0.20	3.20±0.20	0.60±0.25	0.90±0.25	0.60±0.15

Power Derating Curve

(unit: mm)



Maximum dissipation in percentage of rated power as a function of the ambient temperature for 0402,0603,0805,1206,1210,2010,2512



Maximum dissipation in percentage of rated power as a function of the ambient temperature for 0201

Rating

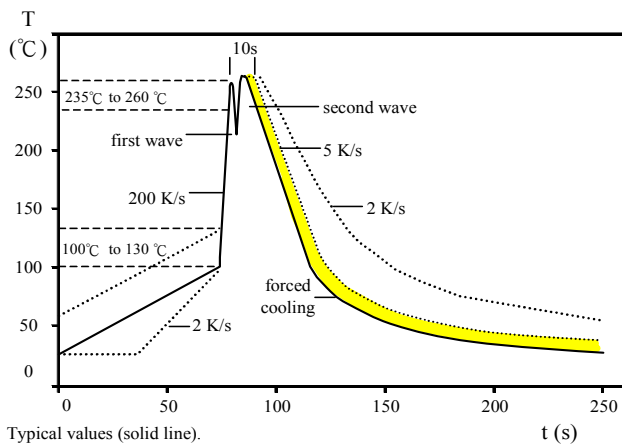
FCF Series

• LEAD FREE CHIP RESISTORS

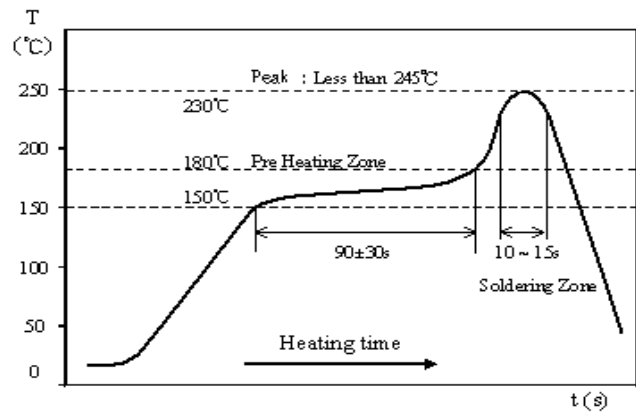
Type	Size	Power Rating at 70°C	Max. RCWV	Max. Overload Voltage	Resistance Tolerance (%)	Temperature Coefficient (TCR; ppm/°C)	Resistance Range(Ω)		Standard Resistance Values
							Min.	Max.	
FCF01	0201	1/20W	25V	50V	±1%(F)	±200	1	3.3M	E-96
					±5%(J)		0&1	10M	E-24
FCF02	0402	1/16W	50V	100V	±0.1%(B)	±100	10	1M	E-96
					±0.5%(D)		±100	10	1M
					±1%(F)	±200	1	10M	E-96
					±5%(J)		0&1	10M	E-24
FCF03	0603	1/10W	50V	100V	±0.1%(B)	±50	20	510K	E-96
					±0.25%(C)				E-96
					±0.5%(D)				E-96
FCF05	0805	1/8W	150V	300V	±1%(F)	±100	1	10M	E-96
FCF06	1206	1/4W	200V	400V	±2%(G)	±200	1	10M	E-24
					±5%(J)		0&1	10M	E-24
FCF12	1210	1/3W	200V	400V	±1%(F)	±200	1	10M	E-96
					±5%(J)		0&1	10M	E-24
FCF20	2010	3/4W	200V	400V	±1%(F)	±200	1	10M	E-96
					±5%(J)		0&1	10M	E-24
FCF25	2512	1W	200V	400V	±1%(F)	±200	1	10M	E-96
					±5%(J)		0&1	10M	E-24

- Jumper : ⊙ 0402,0603 size maximum resistance $R_{max} < 50m\Omega$ and rated current $I_R \leq 1A$
 ⊙ 0805,1206,1210,2010,2512 size maximum resistance $R_{max} < 50m\Omega$ and rated current $I_R \leq 2A$
- 1Ω~10Ω : ⊙ Temperature Coefficient of Resistance for 0402,0603,0805,1206 = -200 ~ +400
 ⊙ Temperature Coefficient of Resistance for 2010,2512 = ±300
 ⊙ Temperature Coefficient of Resistance for 0201 = -200 ~ +600

Soldering Temperature Curve



Typical values (solid line).
 Process limits (dotted line). **WAVE soldering.**



IR Reflow Soldering

Part Number

FCF	05	F	T	—	1002	—
Type	Size	Tolerance	Packing		GM	TCR
FCF	01 : 0201	B : ± 0.1%	S : Paper tape	1Kpcs	examples:	— TCR as Rating Table
	02 : 0402	C : ±0.25%	T : Paper tape	5Kpcs	1002:100*10 ²	
	03 : 0603	D : ± 0.5%	V : Paper tape	10Kpcs	=10KΩ	P : 50ppm
	05 : 0805	F : ± 1%	U : Paper tape	15Kpcs	103 :10*10 ³	
	06 : 1206	G : ± 2%	W : Paper tape	20Kpcs	=10KΩ	N:100ppm For 1Ω~10Ω 1% only.
	12 : 1210	J : ± 5%	P : Plastic tape	4Kpcs		
	20 : 2010		X : Plastic tape	8Kpcs	For 0603	
	25 : 2512		Y : Plastic tape	16Kpcs	E48/E96	
					01C:100*10 ²	
					=10KΩ	
					(Refer Table 1.)	

example:
FCF05FT-1002P

SPECIFICATION

Resistance Marking

E - 24 SERIES



3 digit marking for ±5% E24
examples: **473** $47 \times 10^3 = 47K\Omega$
1R5 $= 1.5\Omega$

E - 96 SERIES



4 digit marking for E96
examples: **1542** $154 \times 10^2 = 15K4\Omega$
22R1 $= 22.1\Omega$



3 digit marking for E96 - 0603
examples: **02C** (Table 1)
 $102 \times 10^2 = 10K2\Omega$

※ No Marking of 0402 · 0201.

SPECIFICATION

0603 1% Marking Table (Table 1)

Code	E48	E96	Code	E48	E96	Code	E48	E96	Code	E48	E96
01	100	100	25	178	178	49	316	316	73	562	562
02		102	26		182	50		324	74		576
03	105	105	27	187	187	51	332	332	75	590	590
04		107	28		191	52		340	76		604
05	110	110	29	196	196	53	348	348	77	619	619
06		113	30		200	54		357	78		634
07	115	115	31	205	205	55	365	365	79	649	649
08		118	32		210	56		374	80		665
09	121	121	33	215	215	57	383	383	81	681	681
10		124	34		221	58		392	82		698
11	127	127	35	226	226	59	402	402	83	715	715
12		130	36		232	60		412	84		732
13	133	133	37	237	237	61	422	422	85	750	750
14		137	38		243	62		432	86		768
15	140	140	39	249	249	63	442	442	87	787	787
16		143	40		255	64		453	88		806
17	147	147	41	261	261	65	464	464	89	825	825
18		150	42		267	66		475	90		845
19	154	154	43	274	274	67	487	487	91	866	866
20		158	44		280	68		499	92		887
21	162	162	45	287	287	69	511	511	93	909	909
22		165	46		294	70		523	94		931
23	169	169	47	301	301	71	536	536	95	953	953
24		174	48		309	72		549	96		976

Code	A	B	C	D	E	F	G	H	X	Y	Z
Multiplier	10 ⁰	10 ¹	10 ²	10 ³	10 ⁴	10 ⁵	10 ⁶	10 ⁷	10 ⁻¹	10 ⁻²	10 ⁻³

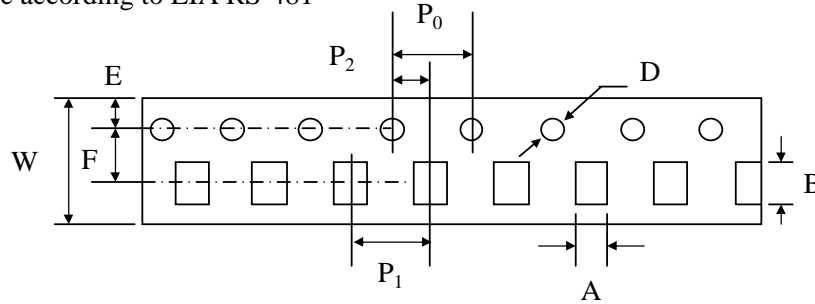
Standard resistance value

E3	10				22				47								
E6	10		15		22		33		47		68						
E12	10	12	15	18	22	27	33	39	47	56	68	82					
E24	10	11	12	13	15	16	18	20	22	24	27	30	33	36	39	43	47
	51	56	62	68	75	82	91										
E96	100	102	105	107	110	113	115	118	121	124	127	130	133	137	140	143	147
	150	154	158	162	165	169	174	178	182	187	191	196	200	205	210	215	221
	226	232	237	243	249	255	261	267	274	280	287	294	301	309	316	324	332
	340	348	357	365	374	383	392	402	412	422	432	442	453	464	475	487	499
	511	523	536	549	562	576	590	604	619	634	649	665	681	698	715	732	750
	768	787	806	825	845	866	887	909	931	953	976						

SPECIFICATION

■ Tape And Reel Package

- Taping specs are according to EIA RS-481



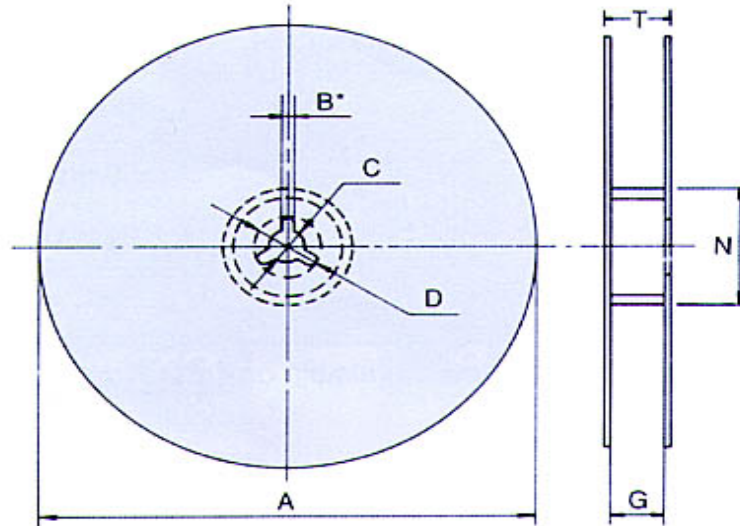
Accumulated dimensional tolerance $40 \pm 0.2 \text{mm}$

Size	A	B	W	F	E	P1	P2	P0	D
0201	0.37 ± 0.05	0.67 ± 0.05	8.00 ± 0.20	3.50 ± 0.05	1.75 ± 0.10	2.00 ± 0.05	2.00 ± 0.05	4.00 ± 0.10	$1.50 + 0.10 / -0$
0402	0.70 ± 0.10	1.20 ± 0.10	8.00 ± 0.30	3.50 ± 0.05	1.75 ± 0.10	2.00 ± 0.10	2.00 ± 0.05	4.00 ± 0.10	$1.50 + 0.10 / -0$
0603	1.10 ± 0.20	1.90 ± 0.20	8.00 ± 0.30	3.50 ± 0.05	1.75 ± 0.10	4.00 ± 0.10	2.00 ± 0.05	4.00 ± 0.10	$1.50 + 0.10 / -0$
0805	1.65 ± 0.20	2.40 ± 0.20	8.00 ± 0.30	3.50 ± 0.05	1.75 ± 0.10	4.00 ± 0.10	2.00 ± 0.05	4.00 ± 0.10	$1.50 + 0.10 / -0$
1206	2.00 ± 0.20	3.60 ± 0.20	8.00 ± 0.30	3.50 ± 0.05	1.75 ± 0.10	4.00 ± 0.10	2.00 ± 0.05	4.00 ± 0.10	$1.50 + 0.10 / -0$
1210	3.00 ± 0.20	3.60 ± 0.20	8.00 ± 0.30	3.50 ± 0.05	1.75 ± 0.10	4.00 ± 0.10	2.00 ± 0.05	4.00 ± 0.10	$1.50 + 0.10 / -0$
2010	2.80 ± 0.20	5.50 ± 0.20	12.00 ± 0.30	5.50 ± 0.05	1.75 ± 0.10	4.00 ± 0.10	2.00 ± 0.05	4.00 ± 0.10	$1.50 + 0.10 / -0$
2512	3.50 ± 0.20	6.70 ± 0.20	12.00 ± 0.30	5.50 ± 0.05	1.75 ± 0.10	4.00 ± 0.10	2.00 ± 0.05	4.00 ± 0.10	$1.50 + 0.10 / -0$

(unit: mm)

SPECIFICATION

- Reel Package



Size	Packaging Q'ty	A	N	C	D	B	G	T
0201	15Kpcs / Reel	178.0±2.0	60.0±0.5	13.0±0.5	20min	2.0±0.5	10.0±1.5	14.9 max.
0402	10Kpcs / Reel	178.0±2.0	60.0±0.5	13.0±0.5	20min	2.0±0.5	10.0±1.5	14.9 max.
0603 0805 1206 1210	1Kpcs / Reel	100.0±0.5	52.0±0.5	13.0±0.5	20min	2.0±0.5	9.0±0.5	12.5 max.
	5Kpcs / Reel	178.0±2.0	60.0±0.5	13.0±0.5	20min	2.0±0.5	10.0±1.5	14.9 max.
	10Kpcs / Reel	254.0±2.0	100.0±1.0	13.5±0.5	20min	2.0±0.5	10.0±1.5	14.9 max.
	20Kpcs / Reel	330.0±2.0	100.0±1.0	13.5±0.5	20min	2.0±0.5	10.0±1.5	14.9 max.
2010 2512	4Kpcs / Reel	178.0±2.0	60.0±0.5	13.0±0.5	20min	2.0±0.5	13.8±1.5	16.7 max.
	8Kpcs / Reel	254.0±2.0	100.0±1.0	13.5±0.5	20min	2.0±0.5	13.8±1.5	16.7 max.
	16Kpcs / Reel	330.0±2.0	100.0±1.0	13.5±0.5	20min	2.0±0.5	13.8±1.5	20.0 max.

(unit: mm)

SPECIFICATION

■ FCF ≥ 1 Ω Specification And Test Methods

ITEM	SPECIFICATION	TEST METHOD
DC Resistance	J : ±5% , G: ±2% , F: ±1% D: ±0.5% , C: ±0.25% , B: ±0.1% Zero ohm Jumper < 50m Ω	IEC 60115-1 / JIS C 5201-1 , Clause 4.5 Measure the resistance value.
Short time Overload	J 、 G: $\Delta R \leq \pm(2\% + 0.1\Omega)$ F 、 D: $\Delta R \leq \pm(1\% + 0.05\Omega)$ C 、 B: $\Delta R \leq \pm(0.5\% + 0.05\Omega)$	IEC 60115-1 / JIS C 5201-1 , Clause 4.13 2.5×Rated voltage or Max. Overload Voltage for 5 sec. measure resistance after 30 minutes
Solderability	Over 95% of termination must be covered with Solder	IEC 60115-1 / JIS C 5201-1 , Clause 4.17 After immersing flux, dip in the 245±2℃ molten solder bath for 3±0.5 sec
Resistance to Solder Heat	J 、 G: $\Delta R \leq \pm(1\% + 0.1\Omega)$ F 、 D 、 C 、 B: $\Delta R \leq \pm(0.5\% + 0.05\Omega)$ No mechanical damage	IEC 60115-1 / JIS C 5201-1 , Clause 4.18 With 260±5℃ for 10±1 sec.
Temperature Coefficient of Resistance (TCR)	Refer to the rating table information.	IEC 60115-1 / JIS C 5201-1 , Clause 4.8 Test temperature : 25℃ (T1) → -55℃ (T2) 25℃ (T1) → +155℃ (T2) $TCR (ppm/^\circ C) = \frac{R2-R1}{R1} \times \frac{1}{T2-T1} \times 10^6$ T1: 25℃ T2: Test temperature R1: Resistance at reference temperature (T1) R2: Resistance at test temperature (T2)
Load Life Humidity	J 、 G: $\Delta R \leq \pm(3\% + 0.1\Omega)$ F 、 D: $\Delta R \leq \pm(1\% + 0.05\Omega)$ C 、 B: $\Delta R \leq \pm(0.5\% + 0.05\Omega)$	IEC 60115-1 / JIS C 5201-1 , Clause 4.24 Maintain the temperature of the resistor at 40±2℃ and 90~95% R.H. with the rated voltage applied. Cycle ON for 1.5 hours and OFF for 0.5 hour for 1000+48/-0 hours. After 1~4 hour, measure the resistance value.
Load Life	J 、 G: $\Delta R \leq \pm(3\% + 0.1\Omega)$ F 、 D: $\Delta R \leq \pm(1\% + 0.05\Omega)$ C 、 B: $\Delta R \leq \pm(0.5\% + 0.05\Omega)$	IEC 60115-1 / JIS C 5201-1 , Clause 4.25 Permanent resistance change after 1000+48/-0 hours (1.5 hours ON , 0.5 hour OFF) at RCWV or Max. Keep the resistor at 70±2℃ ambient
Temperature Cycle	J 、 G: $\Delta R \leq \pm(1\% + 0.1\Omega)$ F 、 D 、 C 、 B: $\Delta R \leq \pm(0.5\% + 0.05\Omega)$ No mechanical damage	IEC 60115-1 / JIS C 5201-1 , Clause 4.19 Repeat 5 cycles as follows -55℃ (30 min.) + 25℃ (2~3 min.) +155℃ (30 min.) + 25℃ (2~3 min.)
Insulation Resistance	Between termination and coating must be over 1000MΩ	IEC 60115-1 / JIS C 5201-1 , Clause 4.6 Test voltage: 100±15V
Bending Strength	J 、 G: $\Delta R \leq \pm(1\% + 0.1\Omega)$ F 、 D 、 C 、 B: $\Delta R \leq \pm(0.5\% + 0.05\Omega)$ No mechanical damage	IEC 60115-1 / JIS C 5201-1 , Clause 4.33 Resistance change after bended on the 90mm PCB. Bend: 3mm for 0201 、 0402 、 0603 、 0805 2mm for 1206 、 1210 、 2010 、 2512

■ Storage and Handling Conditions:

1. Products are recommended to be used up within one year as ensured shelf life. Check solderability in case shelf life extension is needed.

2. To store products with following condition:

Temperature: 5 to 40℃

Humidity: 20 to 70% relative humidity.