

1Mbit (128K x8), 5V Asynchronous SRAM

FEATURES SUMMARY

- SUPPLY VOLTAGE: 4.5 to 5.5V
- 128K x 8 bits SRAM with OUTPUT ENABLE
- EQUAL CYCLE and ACCESS TIMES: 55ns
- LOW STANDBY CURRENT
- LOW V_{CC} DATA RETENTION: 2V
- TRI-STATE COMMON I/O
- LOW ACTIVE and STANDBY POWER

Figure 1. Packages

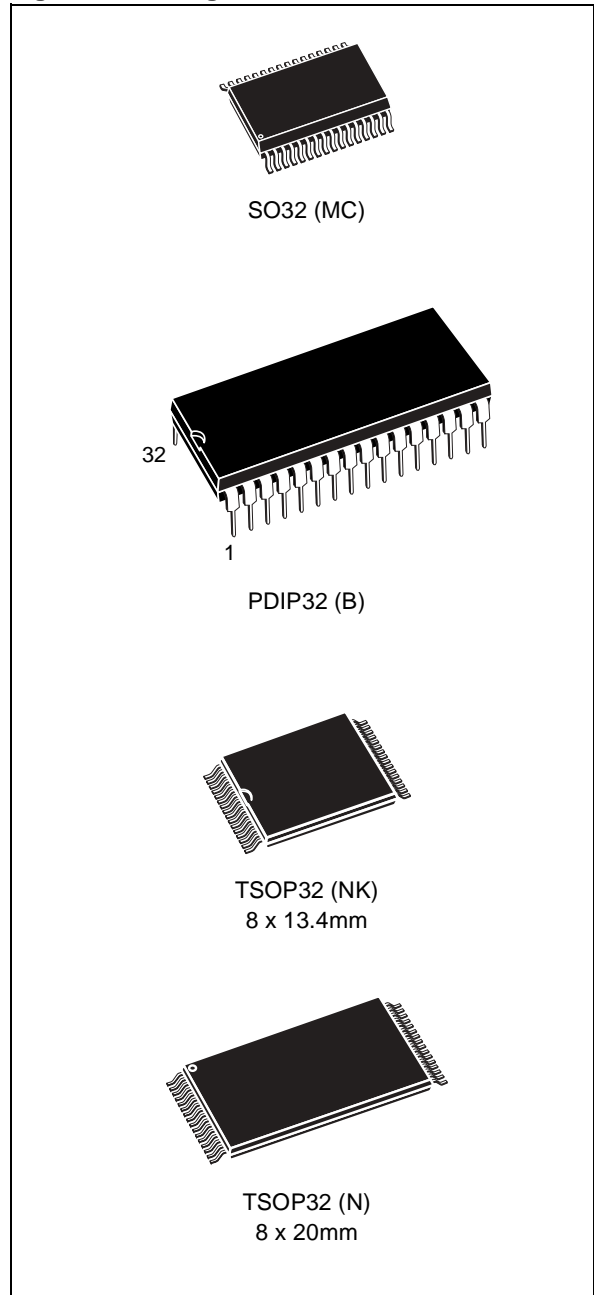


TABLE OF CONTENTS

FEATURES SUMMARY	1
Figure 1. Packages	1
TABLE OF CONTENTS	2
SUMMARY DESCRIPTION	4
Figure 2. Logic Diagram	4
Table 1. Signal Names	4
Figure 3. SO Connections	5
Figure 4. DIP Connections	5
Figure 5. TSOP Connections	5
Figure 6. Block Diagram	6
OPERATION	7
Read Mode	7
Write Mode	7
Table 2. Operating Modes	7
MAXIMUM RATING	8
Table 3. Absolute Maximum Ratings	8
DC AND AC PARAMETERS	9
Table 4. Operating and AC Measurement Conditions	9
Figure 7. AC Measurement I/O Waveform	9
Figure 8. AC Measurement Load Circuit	9
Table 5. Capacitance	10
Table 6. DC Characteristics	10
Figure 9. Address Controlled, Read Mode AC Waveforms	11
Figure 10. Chip Enable or Output Enable Controlled, Read Mode AC Waveforms	11
Figure 11. Chip Enable Controlled, Standby Mode AC Waveforms	12
Table 7. Read and Standby Mode AC Characteristics	13
Figure 12. Write Enable Controlled, Write AC Waveforms	14
Figure 13. Chip Enable Controlled, Write AC Waveforms	14
Table 8. Write Mode AC Characteristics	15
Figure 14. $\overline{E1}$ Controlled, Low V_{CC} Data Retention AC Waveforms	16
Figure 15. E2 Controlled, Low V_{CC} Data Retention AC Waveforms	16
Table 9. Low V_{CC} Data Retention Characteristics	16
PACKAGE MECHANICAL	17
Figure 16. SO32 - 32 lead Plastic Small Outline, Package Outline	17
Table 10. SO32 - 32 lead Plastic Small Outline, Package Mechanical Data	17
Figure 17. PDIP32 - 32 pin Plastic DIP, 600 mils width, Package Outline	18
Table 11. PDIP32 - 32 pin Plastic DIP, 600 mils width, Package Mechanical Data	18
Figure 18. TSOP32 - 32-lead Thin Small Outline Package, 8x13.4mm, Package Outline	19

Table 12. TSOP32 - 32-lead Thin Small Outline Package, 8x13.4mm, Package Mechanical
Data 19

Figure 19. TSOP32 - 32 lead Plastic Thin Small Outline, 8x20mm, Package Outline 20

Table 13. TSOP32 - 32 lead Plastic Thin Small Outline, 8x20mm, Package Mechanical Data . . . 20

PART NUMBERING 21

Table 14. Ordering Information Scheme 21

REVISION HISTORY 22

Table 15. Document Revision History 22

SUMMARY DESCRIPTION

The M68AF127B is a 1Mbit (1,048,576 bit) CMOS SRAM, organized as 131,072 words by 8 bits. The device features fully static operation requiring no external clocks or timing strobes, with equal address access and cycle times. It requires a single 4.5 to 5.5V supply.

This device has an automatic power-down feature, reducing the power consumption by over 99% when deselected.

The M68AF127B is available in SO32, PDIP32, TSOP32 (8x13.4mm) and TSOP32 (8x20mm) packages.

Figure 2. Logic Diagram

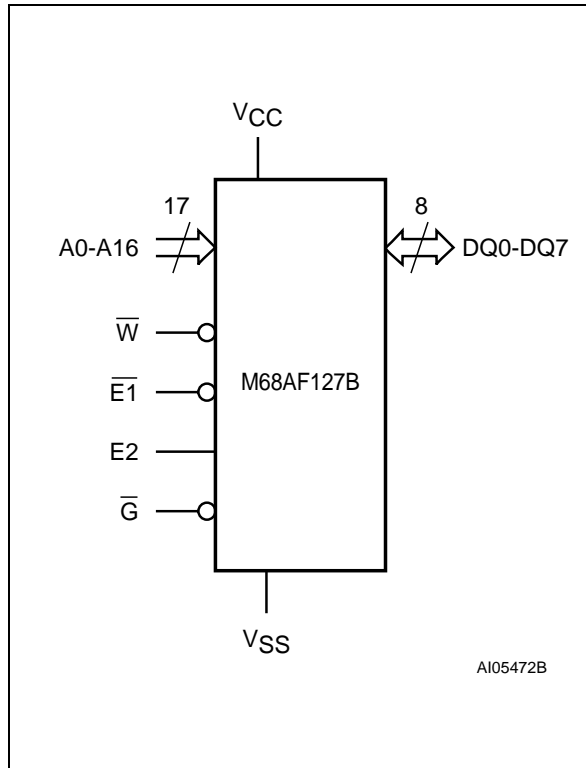


Table 1. Signal Names

A0-A16	Address Inputs
DQ0-DQ7	Data Input/Output
$\bar{E}1$	Chip Enable
E2	Chip Enable
\bar{G}	Output Enable
\bar{W}	Write Enable
V _{CC}	Supply Voltage
V _{SS}	Ground

Figure 3. SO Connections

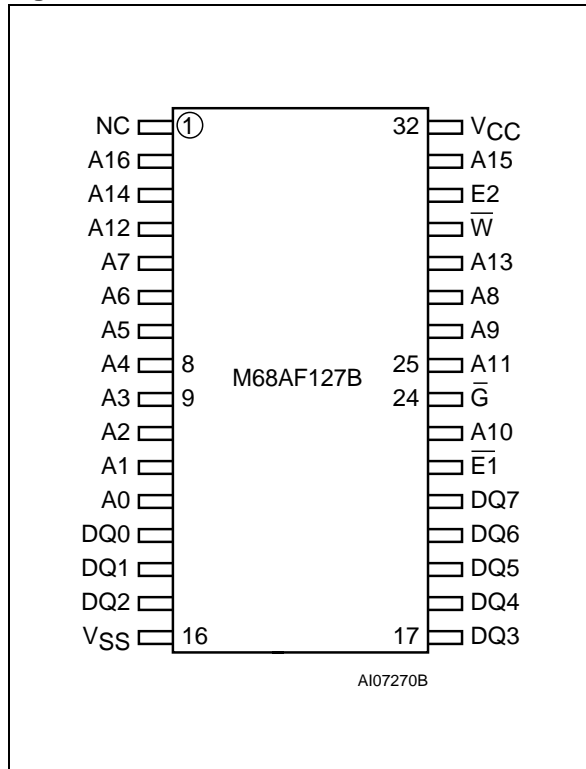


Figure 5. TSOP Connections

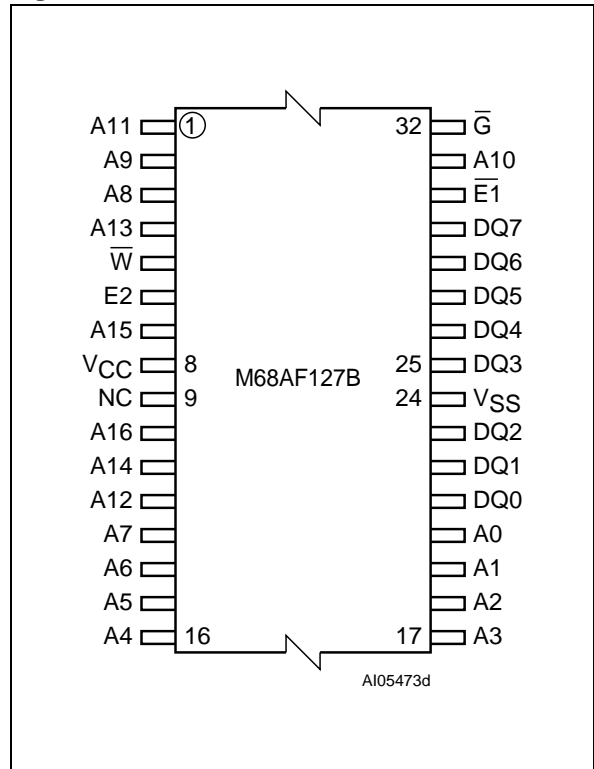


Figure 4. DIP Connections

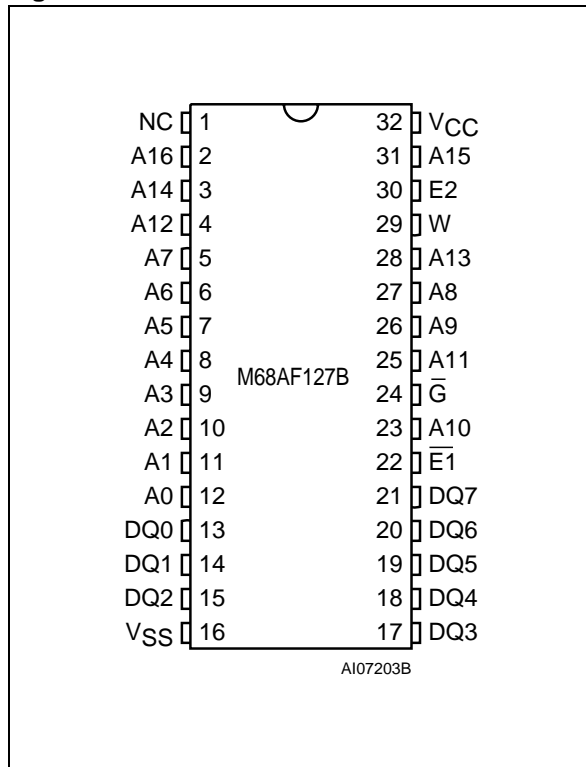
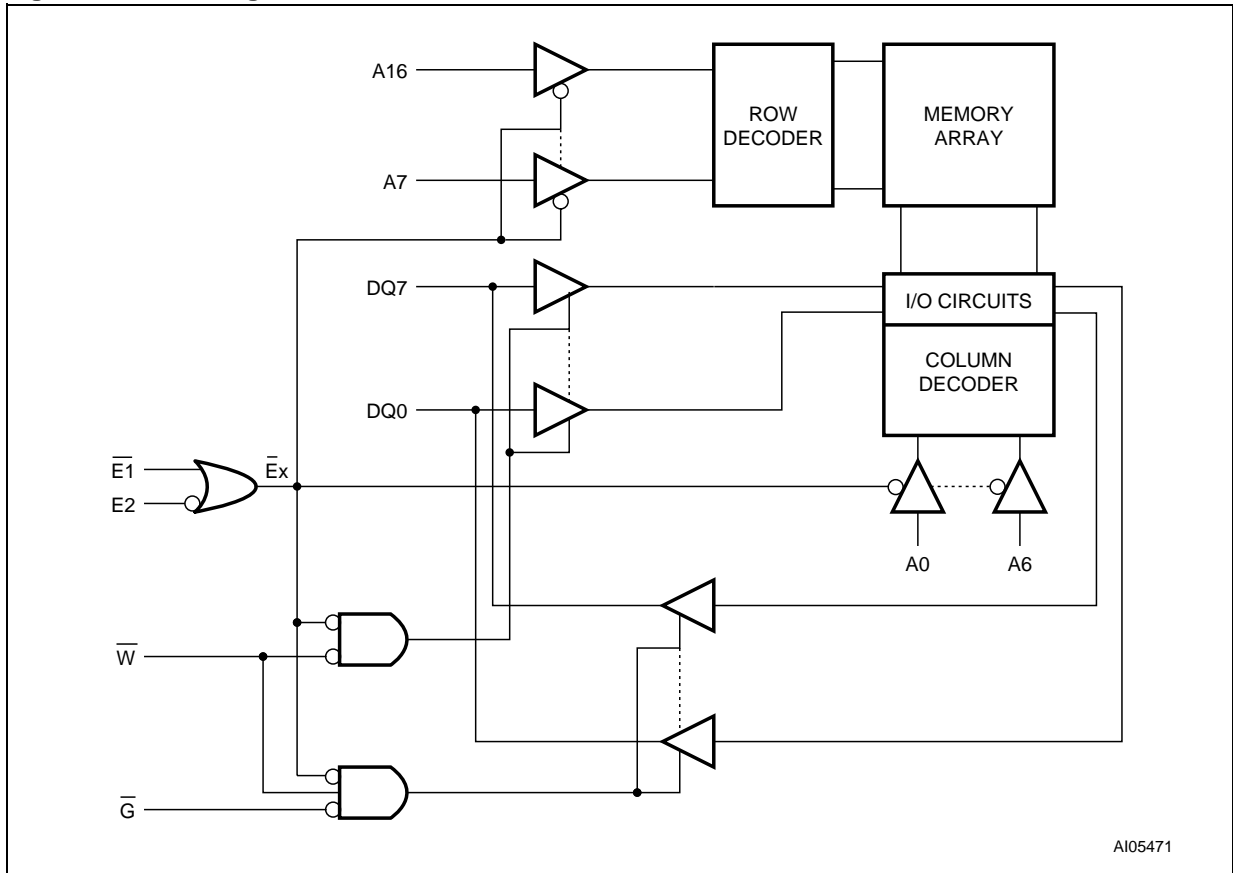


Figure 6. Block Diagram



OPERATION

The M68AF127B has a Chip Enable power down feature which invokes an automatic standby mode whenever Chip Enable is de-asserted ($\overline{E1}$ = High), or Chip Select is asserted ($E2$ = Low). An Output Enable (\overline{G}) signal provides a high-speed, tri-state

control, allowing fast read/write cycles to be achieved with the common I/O data bus. Operational modes are determined by device control inputs \overline{W} and $\overline{E1}$ as summarized in the Operating Modes table (Table 2).

Read Mode

The M68AF127B is in the Read mode whenever Write Enable (\overline{W}) is High with Output Enable (\overline{G}) Low, Chip Enable ($\overline{E1}$) is asserted and Chip Select ($E2$) is de-asserted. This provides access to data from eight of the 1,048,576 locations in the static memory array, specified by the 17 address inputs. Valid data will be available at the eight output pins

within t_{AVQV} after the last stable address, providing \overline{G} is Low and $\overline{E1}$ is Low. If Chip Enable or Output Enable access times are not met, data access will be measured from the limiting parameter (t_{ELQV} or t_{GLQV}) rather than the address. Data out may be indeterminate at t_{ELQX} and t_{GLQX} , but data lines will always be valid at t_{AVQV} .

Write Mode

The M68AF127B is in the Write mode whenever the \overline{W} and $\overline{E1}$ pins are Low and the $E2$ pin is High. Either the Chip Enable input ($\overline{E1}$) or the Write Enable input (\overline{W}) must be de-asserted during Address transitions for subsequent write cycles. Write begins with the concurrence of $\overline{E1}$ being active with \overline{W} low. Therefore, address setup time is referenced to Write Enable and Chip Enable as t_{AVWL} and t_{AVEH} , respectively, and is determined by the latter occurring edge.

The Write cycle can be terminated by the earlier rising edge of $\overline{E1}$, or \overline{W} . If the Output is enabled ($\overline{E1}$ = Low, $E2$ = High and \overline{G} = Low), then \overline{W} will return the outputs to high impedance within t_{WLQZ} of its falling edge. Care must be taken to avoid bus contention in this type of operation. Data input must be valid for t_{DVWH} before the rising edge of Write Enable, or for t_{DVEH} before the rising edge of $\overline{E1}$, whichever occurs first, and remain valid for t_{WHDX} or t_{EHDX} .

Table 2. Operating Modes

Operation	$\overline{E1}$	$E2$	\overline{W}	\overline{G}	DQ0-DQ7	Power
Read	V_{IL}	V_{IH}	V_{IH}	V_{IH}	Hi-Z	Active (I_{CC})
Read	V_{IL}	V_{IH}	V_{IH}	V_{IL}	Data Output	Active (I_{CC})
Write	V_{IL}	V_{IH}	V_{IL}	X	Data Input	Active (I_{CC})
Deselect	V_{IH}	X	X	X	Hi-Z	Standby (I_{SB})
Deselect	X	V_{IL}	X	X	Hi-Z	Standby (I_{SB})

Note: X = V_{IH} or V_{IL} .

MAXIMUM RATING

Stressing the device above the rating listed in the “Absolute Maximum Ratings” table may cause permanent damage to the device. These are stress ratings only and operation of the device at these or any other conditions above those indicated in the Operating sections of this specification is

not implied. Exposure to Absolute Maximum Rating conditions for extended periods may affect device reliability. Refer also to the STMicroelectronics SURE Program and other relevant quality documents.

Table 3. Absolute Maximum Ratings

Symbol	Parameter	Value	Unit
$I_O^{(1)}$	Output Current	20	mA
T_A	Ambient Operating Temperature	-55 to 125	°C
T_{STG}	Storage Temperature	-65 to 150	°C
V_{CC}	Supply Voltage	-0.5 to 6.5	V
$V_{IO}^{(2)}$	Input or Output Voltage	-0.5 to $V_{CC} + 0.5$	V
P_D	Power Dissipation	1	W

Note: 1. One output at a time, not to exceed 1 second duration.
2. Up to a maximum operating V_{CC} of 6.0V only.

DC AND AC PARAMETERS

This section summarizes the operating and measurement conditions, as well as the DC and AC characteristics of the device. The parameters in the following DC and AC Characteristic tables are derived from tests performed under the Measure-

ment Conditions listed in the relevant tables. Designers should check that the operating conditions in their projects match the measurement conditions when using the quoted parameters.

Table 4. Operating and AC Measurement Conditions

Parameter		M68AF127B
V _{CC} Supply Voltage		4.5 to 5.5V
Ambient Operating Temperature	Range 1	0 to 70°C
	Range 6	-40 to 85°C
Load Capacitance (C _L)		100pF
Output Circuit Protection Resistance (R ₁)		3.0kΩ
Load Resistance (R ₂)		3.1kΩ
Input Rise and Fall Times		1ns/V
Input Pulse Voltages		0 to V _{CC}
Input and Output Timing Ref. Voltages		V _{CC} /2
Output Transition Timing Ref. Voltages		V _{RL} = 0.3V _{CC} ; V _{RH} = 0.7V _{CC}

Figure 7. AC Measurement I/O Waveform

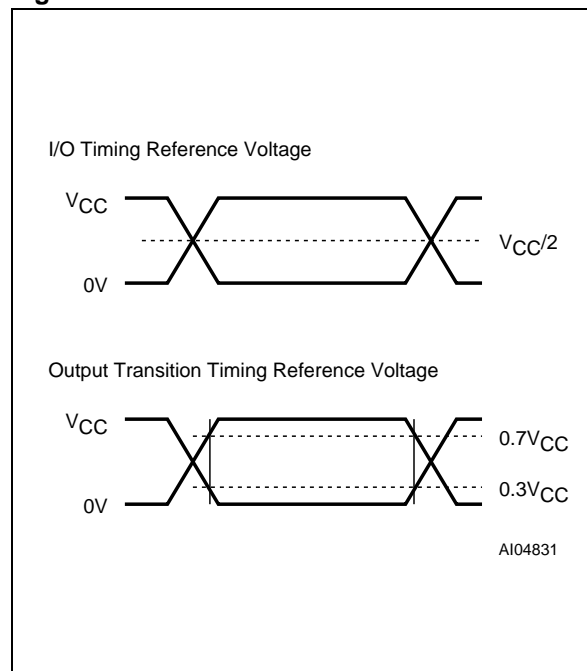


Figure 8. AC Measurement Load Circuit

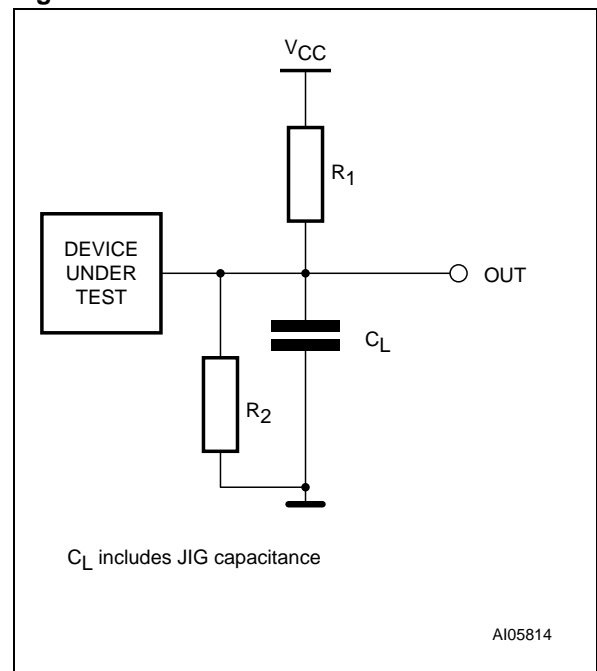


Table 5. Capacitance

Symbol	Parameter (1,2)	Test Condition	Min	Max	Unit
C _{IN}	Input Capacitance on all pins (except DQ)	V _{IN} = 0V		6	pF
C _{OUT}	Output Capacitance	V _{OUT} = 0V		8	pF

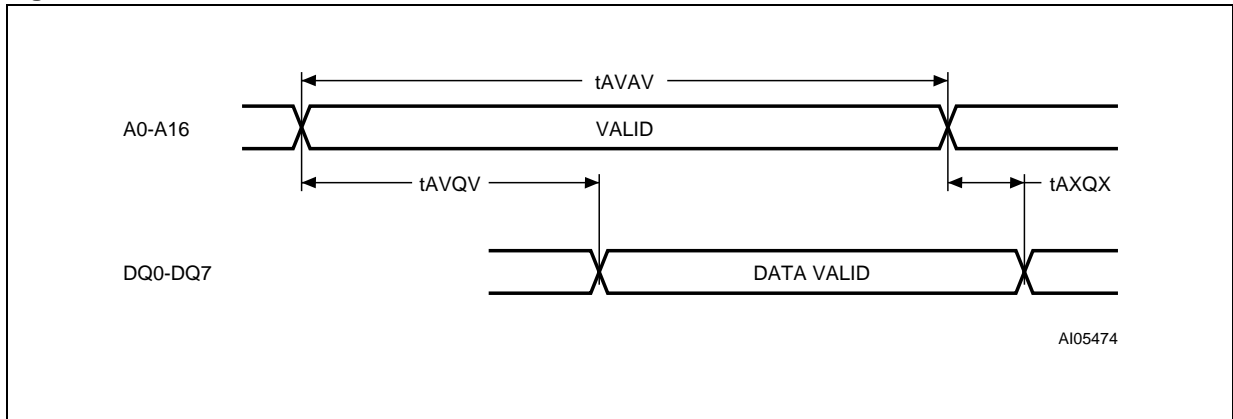
Note: 1. Sampled only, not 100% tested.
 2. At T_A = 25°C, f = 1MHz, V_{CC} = 3.0V.

Table 6. DC Characteristics

Symbol	Parameter	Test Condition	Min	Typ	Max	Unit	
I _{CC1} (1,2)	Supply Current	V _{CC} = 5.5V, f = 1/t _{AVAV} , I _{OUT} = 0mA	55		7.5	20	mA
			70		6.0	15	mA
I _{CC2} (3)	Operating Supply Current	V _{CC} = 5.5V, f = 1MHz, I _{OUT} = 0mA			2	mA	
I _{LI}	Input Leakage Current	0V ≤ V _{IN} ≤ V _{CC}	-1		1	μA	
I _{LO} (4)	Output Leakage Current	0V ≤ V _{OUT} ≤ V _{CC}	-1		1	μA	
I _{SB}	Standby Supply Current CMOS	V _{CC} = 5.5V, $\overline{E1} \geq V_{CC} - 0.2V$, E2 ≤ 0.2V, f = 0		2.5	15	μA	
V _{IH}	Input High Voltage		2.2		V _{CC} + 0.3	V	
V _{IL}	Input Low Voltage		-0.3		0.8	V	
V _{OH}	Output High Voltage	I _{OH} = -1mA	2.4			V	
V _{OL}	Output Low Voltage	I _{OL} = 2.1mA			0.4	V	

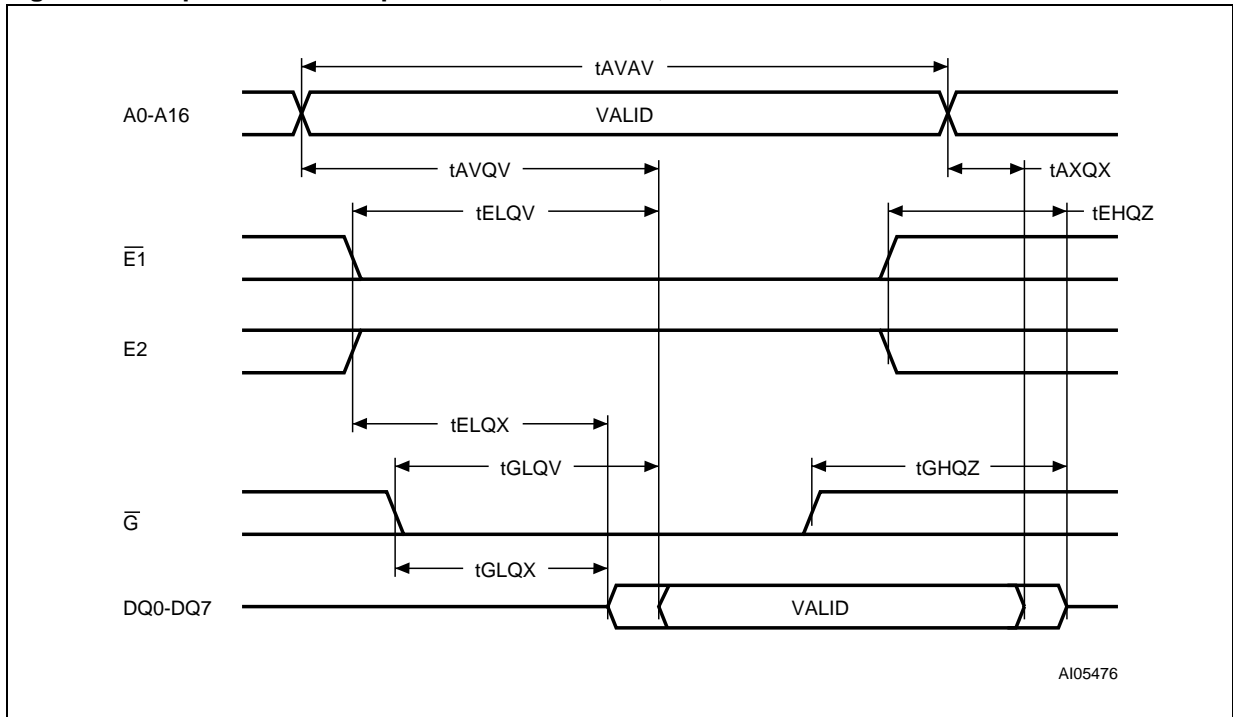
Note: 1. Average AC current, cycling at t_{AVAV} minimum.
 2. $\overline{E1} = V_{IL}$, E2 = V_{IH}, V_{IN} = V_{IH} or V_{IL}.
 3. $\overline{E1} \leq 0.2V$ or E2 ≥ V_{CC} - 0.2V, V_{IN} ≤ 0.2V or V_{IN} ≥ V_{CC} - 0.2V.
 4. Output disabled.

Figure 9. Address Controlled, Read Mode AC Waveforms



Note: $\overline{E1}$ = Low, E2 = High, \overline{G} = Low, \overline{W} = High.

Figure 10. Chip Enable or Output Enable Controlled, Read Mode AC Waveforms



Note: Write Enable (\overline{W}) = High.

Figure 11. Chip Enable Controlled, Standby Mode AC Waveforms

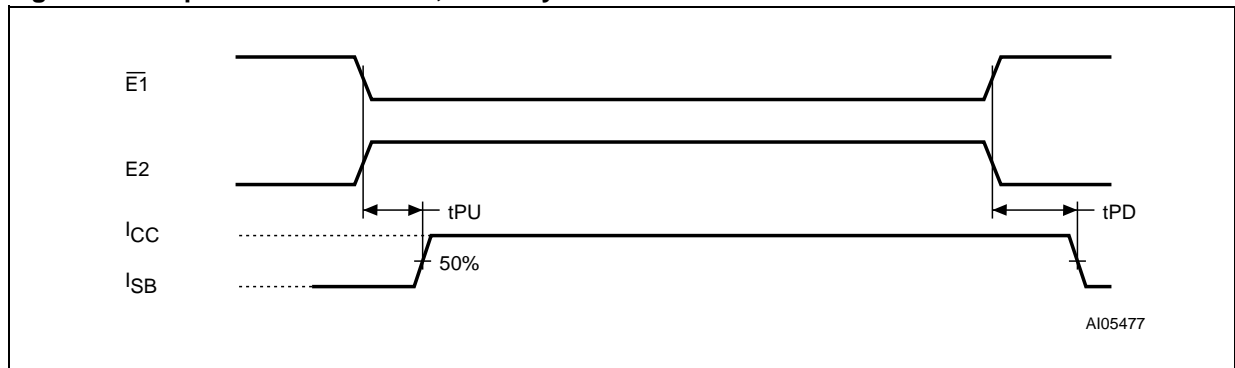


Table 7. Read and Standby Mode AC Characteristics

Symbol	Parameter		M68AF127B		Unit
			55	70	
t_{AVAV}	Read Cycle Time	Min	55	70	ns
t_{AVQV}	Address Valid to Output Valid	Max	55	70	ns
$t_{AXQX}^{(1)}$	Data hold from address change	Min	5	5	ns
$t_{EHQZ}^{(2,3)}$	Chip Enable High to Output Hi-Z	Max	20	25	ns
t_{ELQV}	Chip Enable Low to Output Valid	Max	55	70	ns
$t_{ELQX}^{(1)}$	Chip Enable Low to Output Transition	Min	5	5	ns
$t_{GHQZ}^{(2,3)}$	Output Enable High to Output Hi-Z	Max	20	25	ns
t_{GLQV}	Output Enable Low to Output Valid	Max	25	35	ns
$t_{GLQX}^{(2)}$	Output Enable Low to Output Transition	Min	5	5	ns
t_{PD}	Chip Enable or $\overline{UB}/\overline{LB}$ High to Power Down	Max	55	70	ns
t_{PU}	Chip Enable or $\overline{UB}/\overline{LB}$ Low to Power Up	Min	0	0	ns

Note: 1. Test conditions assume transition timing reference level = $0.3V_{CC}$ or $0.7V_{CC}$.

2. At any given temperature and voltage condition, t_{GHQZ} is less than t_{GLQX} and t_{EHQZ} is less than t_{ELQX} for any given device.

3. These parameters are defined as the time at which the outputs achieve the open circuit conditions and are not referenced to output voltage levels.

Figure 12. Write Enable Controlled, Write AC Waveforms

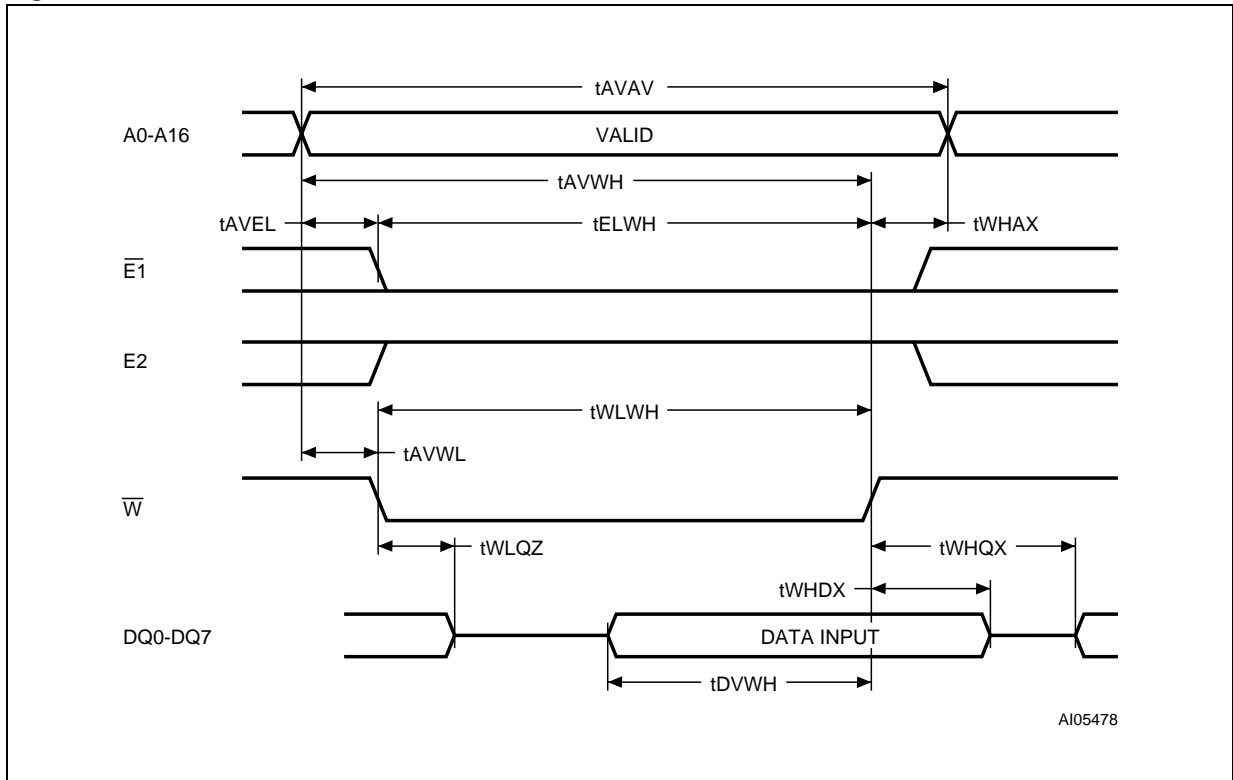


Figure 13. Chip Enable Controlled, Write AC Waveforms

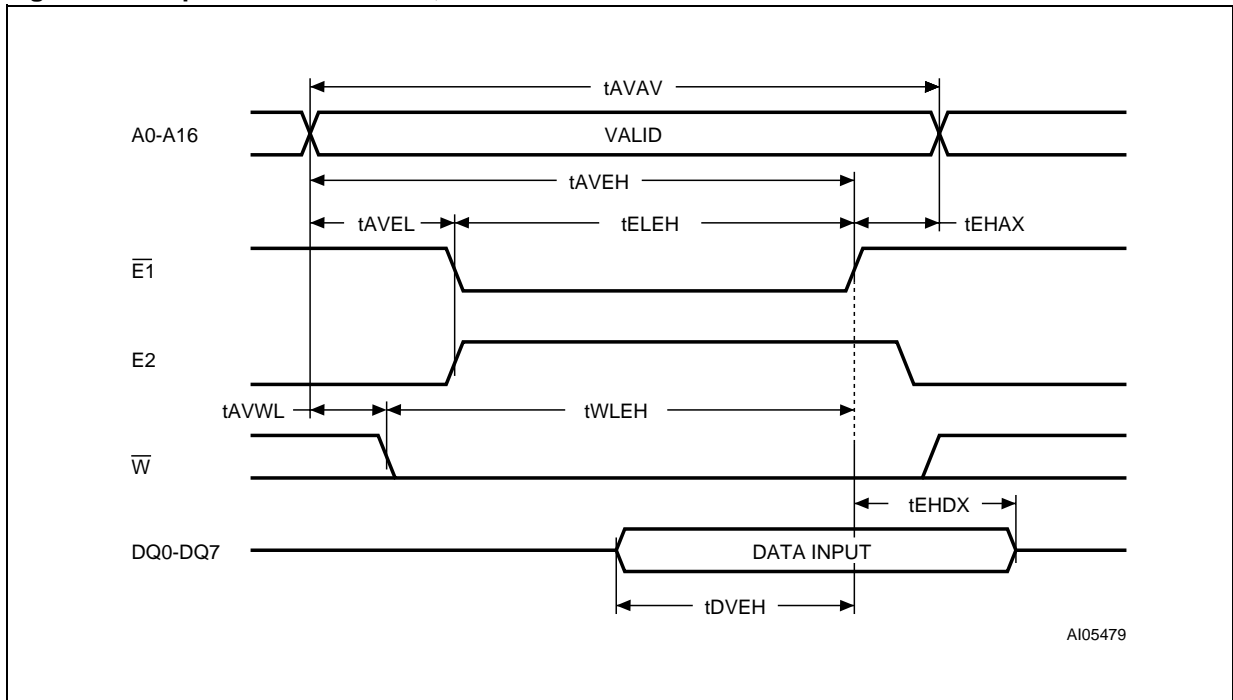


Table 8. Write Mode AC Characteristics

Symbol	Parameter		M68AF127B		Unit
			55	70	
t_{AVAV}	Write Cycle Time	Min	55	70	ns
t_{AVEH}	Address Valid to Chip Enable High	Min	45	60	ns
t_{AVEL}	Address valid to Chip Enable Low	Min	0	0	ns
t_{AVWH}	Address Valid to Write Enable High	Min	45	60	ns
t_{AVWL}	Address Valid to Write Enable Low	Min	0	0	ns
t_{DVEH}	Input Valid to Chip Enable High	Min	25	30	ns
t_{DVWH}	Input Valid to Write Enable High	Min	25	30	ns
t_{EHAX}	Chip Enable High to Address Transition	Min	0	0	ns
t_{EHDX}	Chip enable High to Input Transition	Min	0	0	ns
t_{ELEH}	Chip Enable Low to Chip Enable High	Min	45	60	ns
t_{ELWH}	Chip Enable Low to Write Enable High	Min	45	60	ns
t_{WHAX}	Write Enable High to Address Transition	Min	0	0	ns
t_{WHDX}	Write Enable High to Input Transition	Min	0	0	ns
$t_{WHQX}^{(1)}$	Write Enable High to Output Transition	Min	5	5	ns
t_{WLEH}	Write Enable Low to Chip Enable High	Min	45	60	ns
$t_{WLQZ}^{(1,2)}$	Write Enable Low to Output Hi-Z	Max	20	20	ns
t_{WLWH}	Write Enable Low to Write Enable High	Min	45	60	ns

Note: 1. At any given temperature and voltage condition, t_{WLQZ} is less than t_{WHQX} for any given device.

2. These parameters are defined as the time at which the outputs achieve the open circuit conditions and are not referenced to output voltage levels.

Figure 14. $\overline{E1}$ Controlled, Low V_{CC} Data Retention AC Waveforms

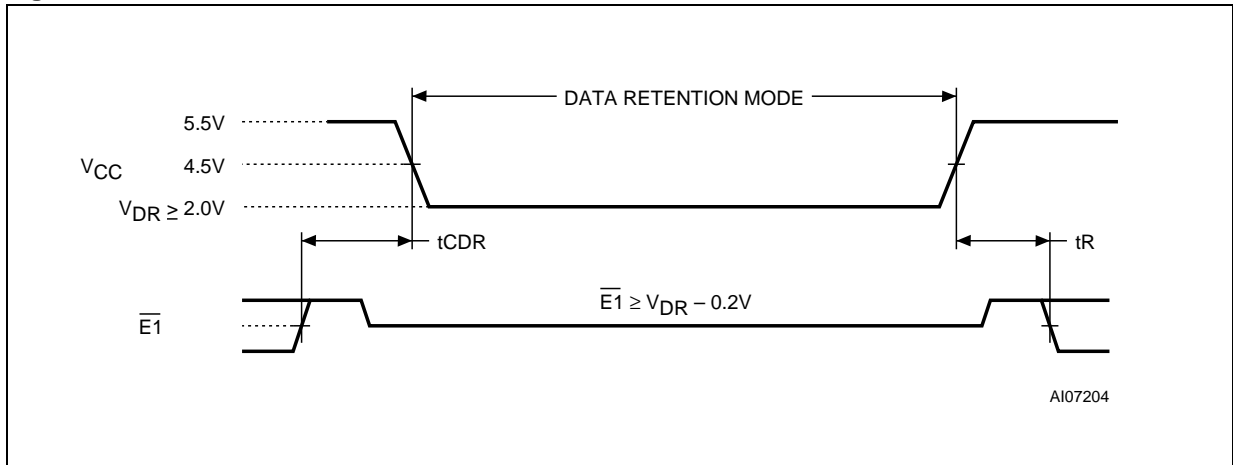


Figure 15. $E2$ Controlled, Low V_{CC} Data Retention AC Waveforms

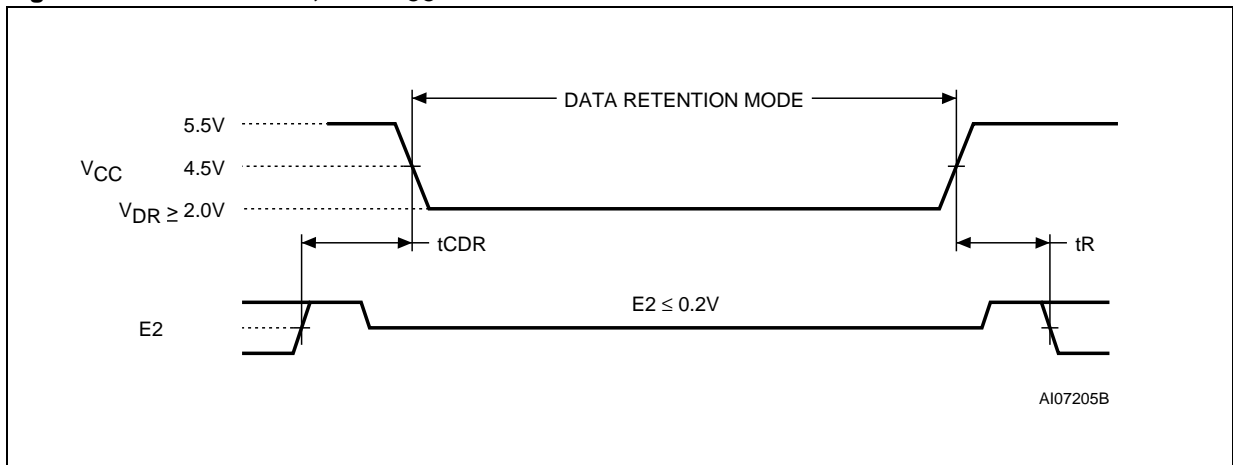


Table 9. Low V_{CC} Data Retention Characteristics

Symbol	Parameter	Test Condition	Min	Max	Unit
$I_{CCDR}^{(1)}$	Supply Current (Data Retention)	$V_{CC} = 2.0V, \overline{E1} \geq V_{CC} - 0.2V$ or $E2 \leq 0.2V, f = 0$		4.5	μA
$t_{CDR}^{(1,2)}$	Chip Deselected to Data Retention Time		0		ns
$t_R^{(2)}$	Operation Recovery Time		t_{AVAV}		ns
$V_{DR}^{(1)}$	Supply Voltage (Data Retention)	$\overline{E1} \geq V_{CC} - 0.2V$ or $E2 \leq 0.2V, f = 0$	2.0		V

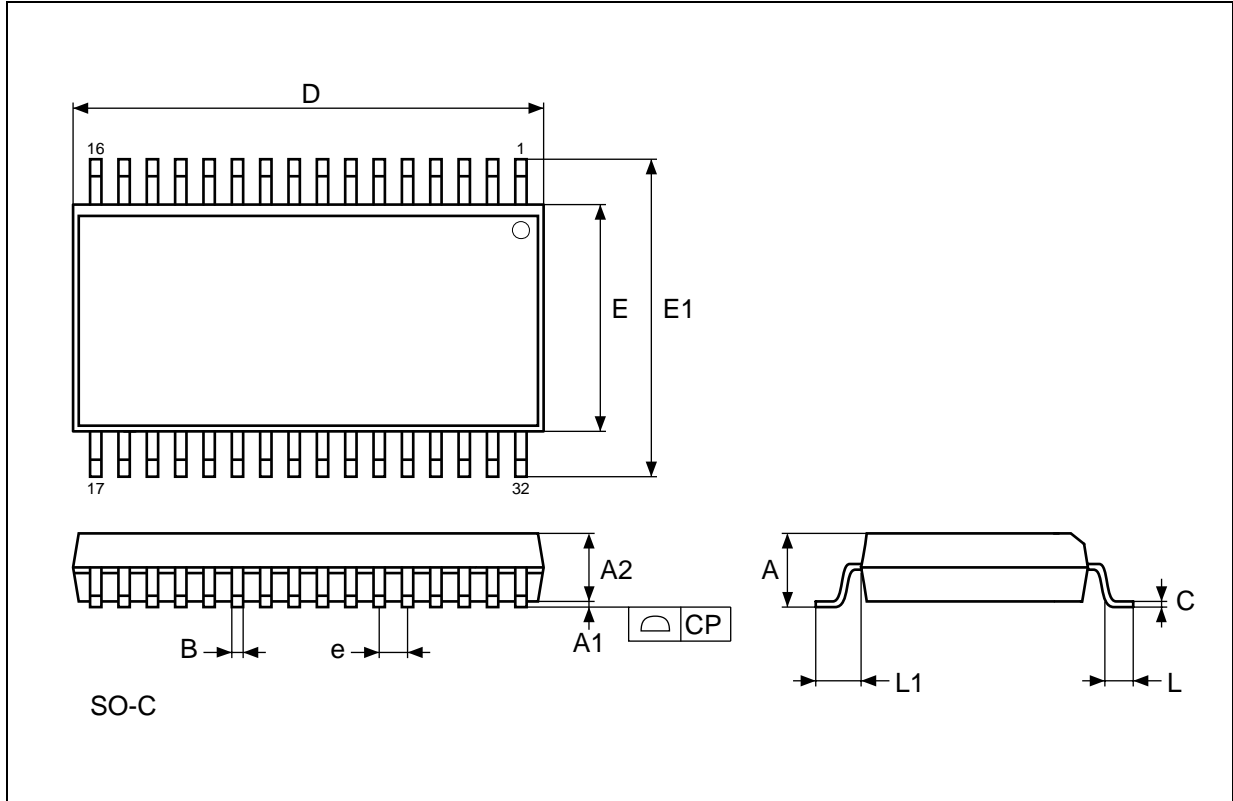
Note: 1. All other Inputs at $V_{IH} \geq V_{CC} - 0.2V$ or $V_{IL} \leq 0.2V$.

2. Tested initially and after any design or process that may affect these parameters. t_{AVAV} is Read cycle time.

3. No input may exceed $V_{CC} + 0.2V$.

PACKAGE MECHANICAL

Figure 16. SO32 - 32 lead Plastic Small Outline, Package Outline

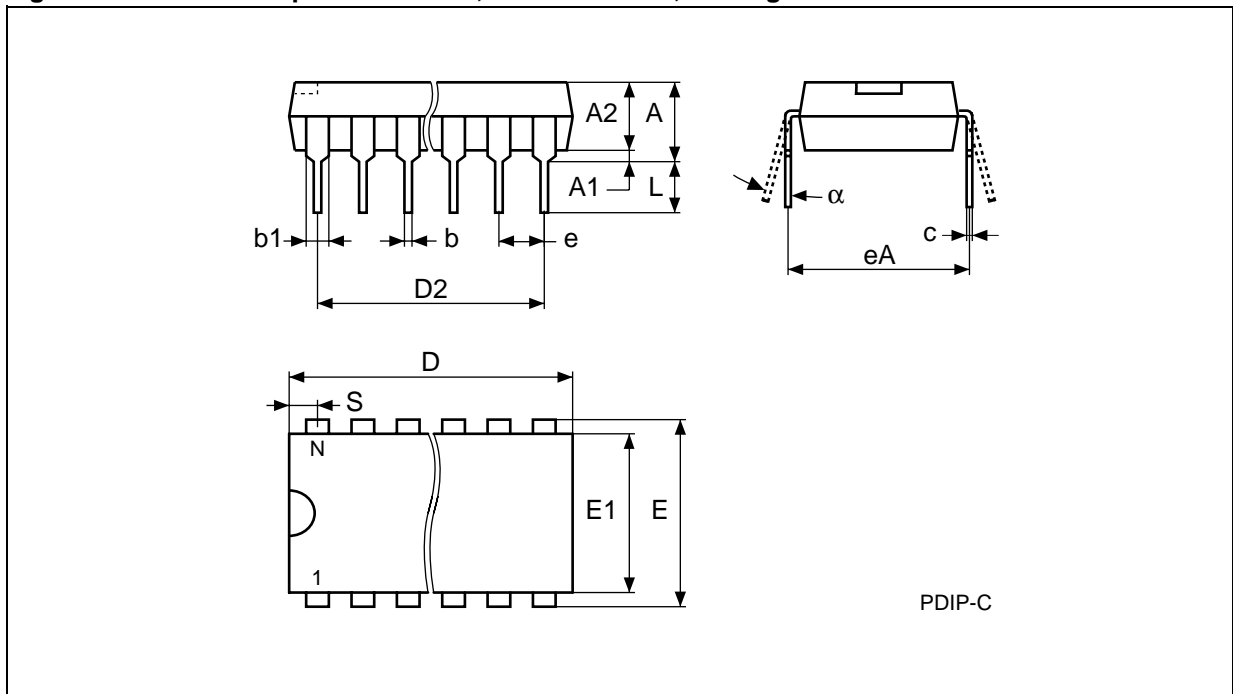


Note: Drawing is not to scale.

Table 10. SO32 - 32 lead Plastic Small Outline, Package Mechanical Data

Symbol	millimeters			inches		
	Typ	Min	Max	Typ	Min	Max
B		0.36	0.51		0.014	0.020
A			3.00			0.118
A1		0.10			0.004	
A2		2.57	2.82		0.101	0.111
C		0.15	0.30		0.006	0.012
CP			0.10			0.004
D		20.14	20.75		0.793	0.817
E		11.18	11.43		0.440	0.450
E1		13.87	14.38		0.546	0.566
e	1.27	–	–	0.050	–	–
L		0.58	0.99		0.023	0.039
L1		1.19	1.60		0.047	0.063
N		32			32	

Figure 17. PDIP32 - 32 pin Plastic DIP, 600 mils width, Package Outline

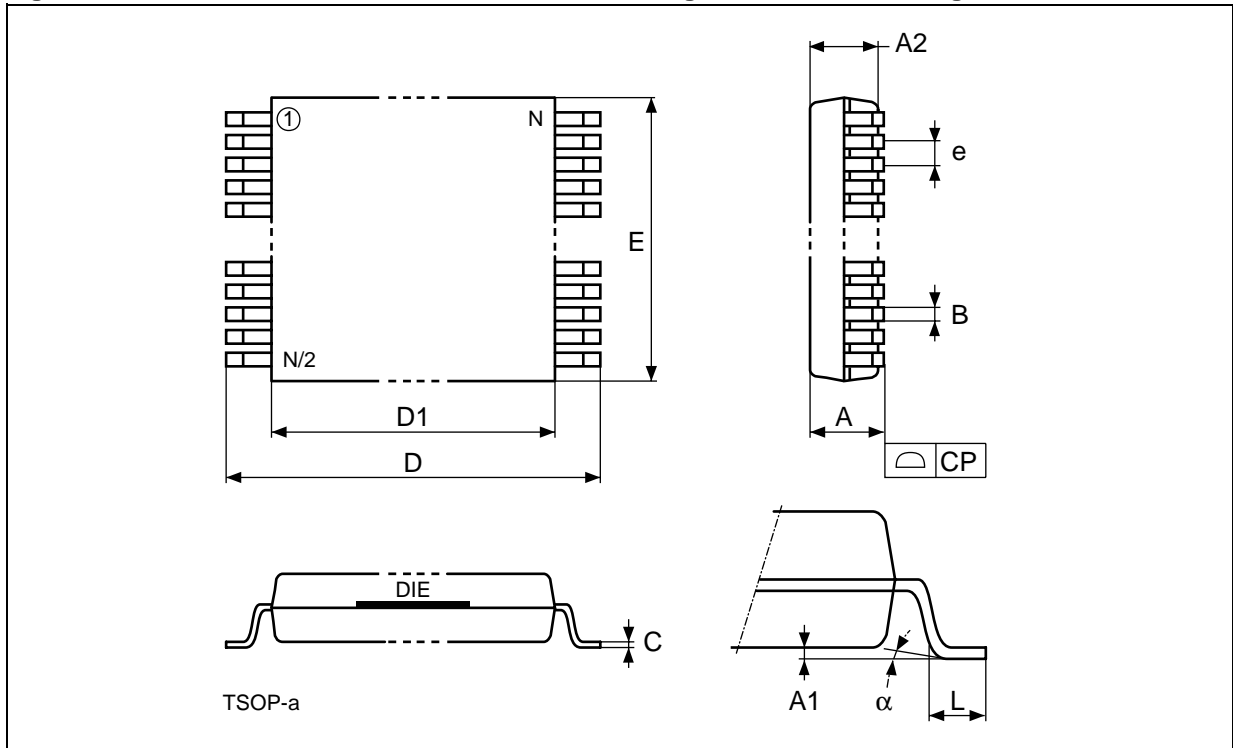


Note: Drawing is not to scale.

Table 11. PDIP32 - 32 pin Plastic DIP, 600 mils width, Package Mechanical Data

Symbol	millimeters			inches		
	Typ	Min	Max	Typ	Min	Max
A			4.83			0.190
A1		0.38			0.015	
A2	3.81			0.150		
b		0.41	0.53		0.016	0.021
b1		1.14	1.65		0.045	0.065
c		0.23	0.38		0.009	0.015
D		41.78	42.29		1.645	1.665
eA	15.24	-	-	0.600	-	-
e	2.54	-	-	0.100	-	-
E		15.24	15.88		0.600	0.625
E1		13.46	13.97		0.530	0.550
L		3.05	3.56		0.120	0.140
S		1.65	2.21		0.065	0.087
alpha		0°	15°		0°	15°
N		32			32	

Figure 18. TSOP32 - 32-lead Thin Small Outline Package, 8x13.4mm, Package Outline

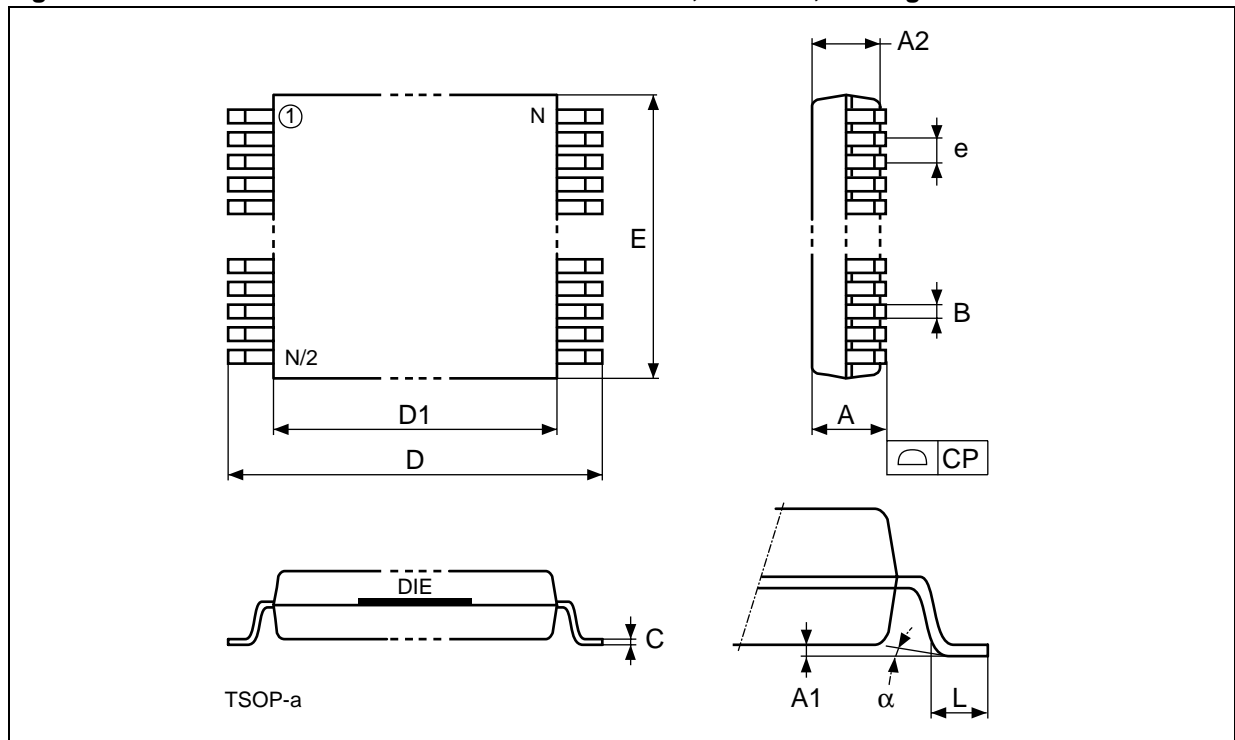


Note: Drawing is not to scale.

Table 12. TSOP32 - 32-lead Thin Small Outline Package, 8x13.4mm, Package Mechanical Data

Symbol	millimeters			inches		
	Typ	Min	Max	Typ	Min	Max
A			1.20			0.0472
A1		0.05	0.15		0.0020	0.0059
A2		0.91	1.05		0.0358	0.0413
B	0.22			0.0087		
C		0.10	0.21		0.0039	0.0083
CP			0.10			0.0039
D	13.40	–	–	0.5276	–	–
D1	11.80	–	–	0.4646	–	–
E	8.00	–	–	0.3150	–	–
e	0.50	–	–	0.0197	–	–
L		0.40	0.60		0.0157	0.0236
α		0°	5°		0°	5°
N		32			32	

Figure 19. TSOP32 - 32 lead Plastic Thin Small Outline, 8x20mm, Package Outline



Note: Drawing is not to scale.

Table 13. TSOP32 - 32 lead Plastic Thin Small Outline, 8x20mm, Package Mechanical Data

Symbol	Typ	millimeters		Typ	inches	
		Min	Max		Min	Max
A			1.200			0.0472
A1		0.050	0.150		0.0020	0.0059
A2		0.950	1.050		0.0374	0.0413
B		0.170	0.250		0.0067	0.0098
C		0.100	0.210		0.0039	0.0083
CP			0.100			0.0039
D		19.800	20.200		0.7795	0.7953
D1		18.300	18.500		0.7205	0.7283
e	0.500	–	–	0.0197	–	–
E		7.900	8.100		0.3110	0.3189
L		0.500	0.700		0.0197	0.0276
α		0°	5°		0°	5°
N		32			32	

PART NUMBERING

Table 14. Ordering Information Scheme

Example:	M68AF127	B	L	55	MC	6	T
Device Type							
M68							
Mode							
A = Asynchronous							
Operating Voltage							
F = 4.5 to 5.5V							
Array Organization							
127 = 1Mbit (128K x8)							
Option 1							
B = 2 Chip Enable							
Option 2							
L = L-Die							
M = M-Die							
Speed Class							
55 = 55ns							
70 = 70ns							
Package							
MC = SO32							
B = PDIP32							
NK = TSOP32 8x13.4mm							
N = TSOP32 8x20mm							
Operative Temperature							
1 = 0 to 70°C							
6 = -40 to 85°C							
Shipping							
T = Tape & Reel Packing							

For a list of available options (e.g., Speed, Package) or for further information on any aspect of this device, please contact the STMicroelectronics Sales Office nearest to you.

REVISION HISTORY

Table 15. Document Revision History

Date	Version	Revision Details
August 2001	1.0	First Issue.
18-Oct-2001	2.0	SO32 Package Mechanical and Data added (Figure 1, 3 and 16, Table 10).
29-Nov-2001	3.0	Note removed from Ordering Information Scheme.
06-Mar-2002	4.0	Document status changed to Data Sheet.
17-May-2002	5.0	Document globally revised.
31-May-2002	6.0	PDIP32 Package added (Figure 1, 4 and 17, Table 11). Chip Enable Low V_{CC} Data Retention clarified (Figure 14 and 15, Table 9).
09-Sep-2002	6.1	TSOP32 8x13.4mm and TSOP32 8x20mm packages added (Figure 1, 5, 18 and 19, Table 12, 13 and 14). Commercial code clarified.
02-Oct-2002	6.2	Title and header layout modified.
09-Oct-2002	6.3	Datasheet number simplified.
16-Apr-2003	6.4	Label corrected on "E2 Controlled, Low V_{CC} Data Retention AC Waveforms" figure.
08-Aug-2003	6.5	TSOP Package connections modified (Figure 5). Test conditions for ICCDR modified in Table 9, Low V_{CC} Data Retention Characteristics.
21-Aug-2003	6.6	TSOP Package connections modified (Figure 5).
24-Sep-2004	7	Document structure modified: <ul style="list-style-type: none"> – Chapter OPERATION moved before chapter MAXIMUM RATING. – AC Characteristics Tables and waveforms moved to the DC/AC PARAMETERS section. t_{PU} and t_{PD} updated in Table 7.

Information furnished is believed to be accurate and reliable. However, STMicroelectronics assumes no responsibility for the consequences of use of such information nor for any infringement of patents or other rights of third parties which may result from its use. No license is granted by implication or otherwise under any patent or patent rights of STMicroelectronics. Specifications mentioned in this publication are subject to change without notice. This publication supersedes and replaces all information previously supplied. STMicroelectronics products are not authorized for use as critical components in life support devices or systems without express written approval of STMicroelectronics.

The ST logo is a registered trademark of STMicroelectronics.

All other names are the property of their respective owners

© 2004 STMicroelectronics - All rights reserved

STMicroelectronics group of companies

Australia - Belgium - Brazil - Canada - China - Czech Republic - Finland - France - Germany - Hong Kong - India - Israel - Italy - Japan -
Malaysia - Malta - Morocco - Singapore - Spain - Sweden - Switzerland - United Kingdom - United States of America

www.st.com